

Flushed, Rotatable Flange Type

MIEPL make Flange Diaphragm Seal used in Viscous & corrosive Media, High Pressure Application and Vibration application.



FEATURES

- Flushed diaphragm
- Exotic wetted parts with economic mounting flange
- Two-piece construction
- Optional flushing ring
- Replaceable wetted parts

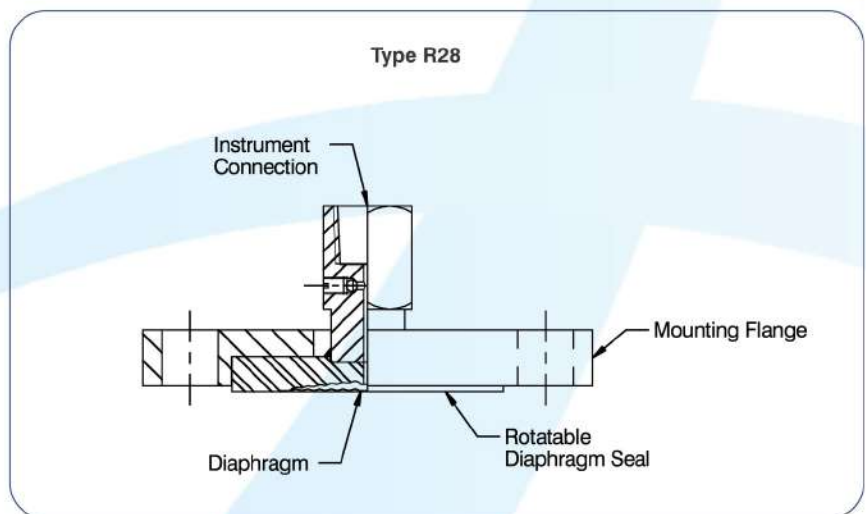
APPLICATION

- Isolation applications
- Viscous & corrosive media
- High-pressure applications
- High vibration application

STANDARD SPECIFICATIONS

Range type	: -1...250 bar
Chamber material	: AISI 316 SS
Diaphragm	: AISI 316L SS
Instrument connection	: 1/2" NPT (F)
Sealing fluid	: Silicon DC 200 (-40...205°C)
Process connection	: 1 1/2" 150# as per ANSI B16.5
Flange facing type	: Raised face
Protection on wetted parts	: Optional
Assembly	: Direct
Capillary	: Optional
Armour	: Optional
Remote mounting length	: Optional

DRAWING



All dimensions are in mm.

ORDERING CODE

MDS16 - R28 - CF - CF - DG - 4NF - FA - XXX - RF - XX - B8

1. RANGE TYPE	-1...250 bar		R28																		
2. MOUNTING FLANGE MATERIAL	ASTM A105			CB																	
	AISI 304 SS			CC																	
	AISI 316 SS			CF																	
	AISI 316L SS			CG																	
3. CHAMBER & FLANGE MATERIAL	AISI 316 SS	CF	Hastelloy C-276		CO																
	AISI 316L SS	CG	Titanium		CV																
	Monel 400	CM	Tantalum		CW																
4. DIAPHRAGM MATERIAL	AISI 316L SS	DG	Titanium			DV															
	Monel 400	DM	Tantalum			DW															
	Hastelloy C-276	DO																			
5. INSTRUMENT CONNECTION	3/8" BSP (F)	3BF	1/2" BSP (F)				4BF														
	1/2" NPT (F)	4NF	1/4" NPT (F)				2NF														
	1/4" BSP (F)	2BF																			
6. SEALING FLUID	Silicon DC 200 [-40°C to 205°C]	FA	Syltherm 800 [-40°C to 315°C]				FI														
	Food grade oil [-20°C to 140°C]	FF	Silicon DC 710 [7°C to 371°C]				FL														
	Glycerine [10°C to 150°C]	FG																			
7. PROCESS CONNECTION	Refer Flange Table for the codes															XXX					
8. FLANGE FACING	Flat Face	FF	Raised Face																	RF	
	Ring-Type Joint	RT	Tongue and Groove (T&G)																	TG	
9. PROTECTION ON WETTED PARTS	PTFE coating on diaphragm or wetted parts															PC					
10. ASSEMBLY	Direct															B8					
	Remote															B9					
11. CAPILLARY	AISI 304 SS															OU					
	AISI 316 SS															OV					
12. ARMOUR	AISI 304 SS	OX	PVC (Ambient max. 60°C)																		OZ
	AISI 316 SS	OY																			
13. REMOTE MOUNTING LENGTH	2000 mm up to 6000 mm															XXX					
14. OTHER OPTIONS	Dry seal															XZ					
	Helium leak test															SL					
	Material test certificate 2.2															SM					
	Material test certificate 3.1															SC					

MOUNTING KITS

Bolt/ Nut/ Washer	Hardware	Metal / Graphoil / Asbestos	Gaskets
Suitable mating type	Flanges		

Ordering Example MDS16 - R28 - CF - CF - DG - 4NF - FA - XXX - RF - XX - B8

NOTES:

1. Different sealing liquids Can be Provided, Please Refer Factory.