

26GHz Radar Level Transmitter



09/12/2020

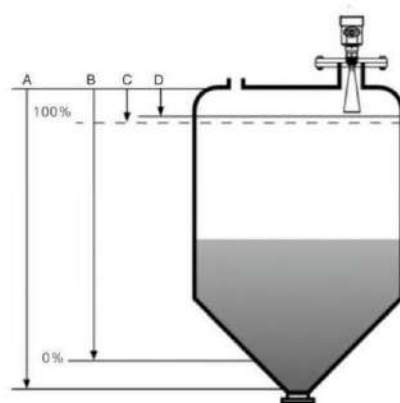
26GHz Intelligent Radar Level Transmitter

Product Description

SEAL Series Radar Level Transmitter is high-frequency level measuring instruments with the maximum measuring distance up to 70 meters. The antenna is further optimized, and the new-type microprocessor can perform higher rate of signal analysis and processing, making the instrument available for complex measurement conditions, such as reactors, solid silos.

Working Principle

Radar level antenna emits narrow microwave pulses that transmitted down by the antenna. The microwave comes into contact with the measured medium surface then reflected back and receiving by the antenna system. The signal is transmitted to electronic circuit and partly convert to level signals (as the microwave featured with high propagation speed, it's almost instantaneous for the electromagnetic waves to reach the target and return to the receiver)



A. Measuring range setting

B. Low position adjustment

C. High position adjustment

D. Blind spot range

Measurement datum: thread bottom and flange sealing surface

Note: When applying the radar level transmitter, make sure that the highest material level cannot reach the measurement blind spot (the territory that indicate as D)

Features of 26GHz Radar Level Transmitter

- Small antenna size, easy to install; non-contact radar, no wear, no pollution.
- Almost free from corrosion, foam impact; hardly affected by the change of the temperature, pressure and water vapor in the atmosphere.
- Severe dust environment is not likely to affect the work of the high-frequency level meter.
- Shorter wavelength can achieve better reflection for the inclined solid surface.
- The small field angle and energy concentration, enhanced echo capabilities, and beneficial to avoid interference.
- Minimized measuring blind spot can gain better result of small tank measurement.
- High SNR, even in the case of fluctuations can result in better performance.
- High frequency, the best choice to measure solids and low dielectric media.

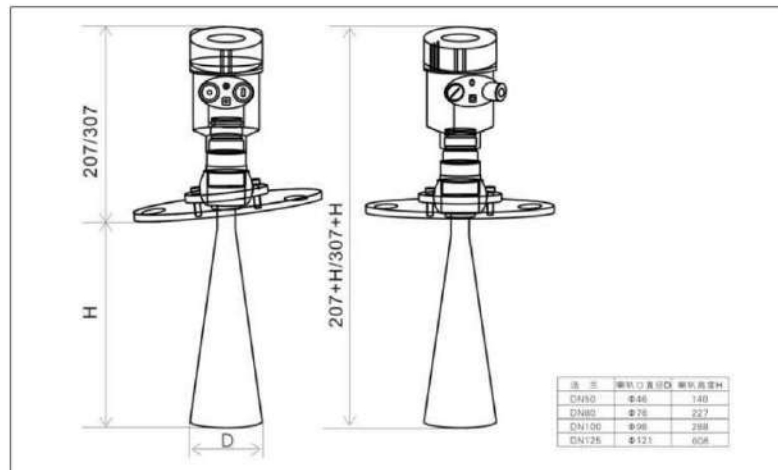
SEAL03 Radar Level Transmitter

1. SEAL03 Technical Parameter :

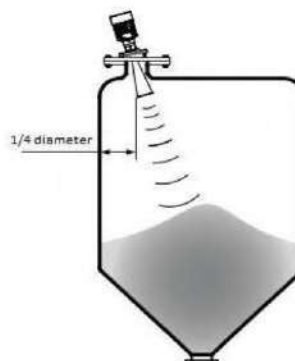


Application	Solid materials, strong dust and crystallization, condensation occasion
Measuring range	70 meter
Process connection	Screw thread, Flange
Medium Temperature	-40~250°C
Process pressure	Atmospheric
Accuracy	±15mm
Frequency range	26GHz
Anti-explosion/safety grade	Exia II CT6 Ga, Exd ia II CT6 Gb / IP67
Signal output	4~20mA/HART(Two-wire/Four-wire) RS485/Modbus

2. SEAL03 Outer Dimension :



3. SEAL03 Installation :



SEAL03 Model Selection			
Element	Code	Parameter	Note
Anti-explosion	P	Standard (non-Ex)	
	I	Intrinsic safety (ExialICT6 Ga)	
	D	Exd (Exd ia II CT6 Gb)	
Process connection / Material	B	Flange DN80 / stainless steel 304	
	C	Flange DN100 / stainless steel 304	
	D	Flange DN125 / stainless steel 304	
	E	Flange DN150 / stainless steel 304	
	F	Flange DN200 / stainless steel 304	
	H	Flange DN250 / stainless steel 304	
	M	Flange DN80 / universal joint (stainless steel) 304	
	K	Flange DN100 / universal joint (stainless steel) 304	
	T	Flange DN125 / universal joint (stainless steel) 304	
	Z	Flange DN150 / universal joint (stainless steel) 304	
	W	Flange DN200 / universal joint (stainless steel) 304	
	V	Flange DN250 / universal joint (stainless steel) 304	
Antenna Type/ Material	C	Horn antennaΦ76mm / stainless steel 316L	
	D	Horn antennaΦ96mm / stainless steel 316L	
	E	Horn antennaΦ121mm / stainless steel 316L	
	K	Horn antennaΦ76mm / stainless steel 316L/ blow-sweep equipment	
	T	Horn antennaΦ96mm / stainless steel 316L/blow-sweep equipment	
	Z	Horn antennaΦ121mm / stainless steel 316L/blow-sweep equipment	
Seal/Process temperature	V	Viton / (- 40 ~ 150) °C	
	K	Kalrez / (- 40 ~ 250) °C	
Electronic unit	2	(4 ~ 20) mA / 24V DC / HART two-wire system	
	3	(4 ~ 20) mA / 24V DC / HART four-wire system	
	4	(4 ~ 20) mA / (85~ 265) V AC / HART four-wire system	
	5	RS485/Modbus/(6~26)V DC	
Housing/Protection grade	L	Aluminum / IP67	
	G	Aluminum / IP67 Double chamber	
Cable entry	M	M20*1.5	
	N	½ NPT	
Live display/ Programming	A	With	
	X	Without	
Special custom	Y	Special custom	