

# Flow Measurement SITRANS F R

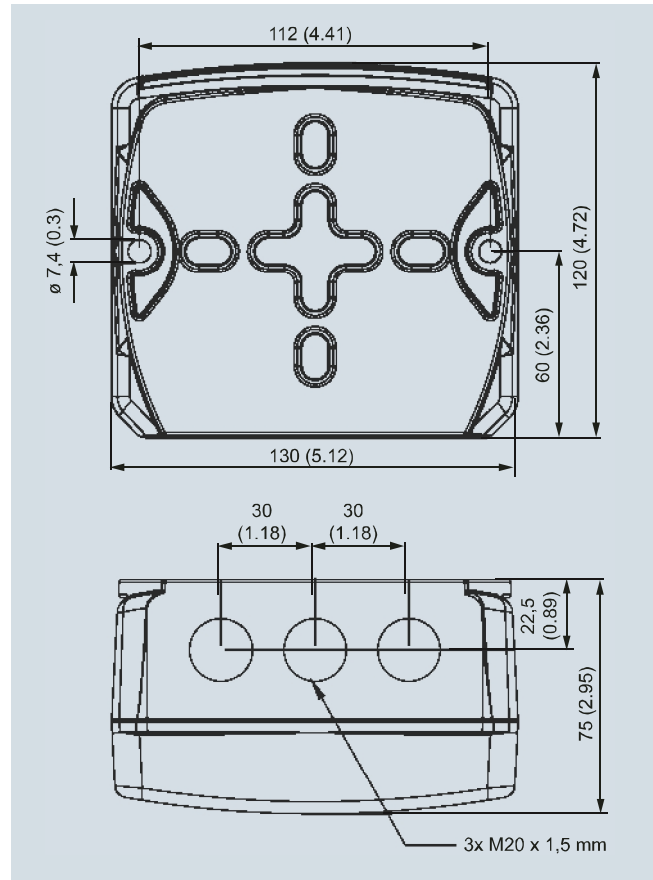
## SITRANS F RA110 electric flow register

Selection and Ordering data	Article No.
<b>Electric flow register SITRANS F RA110</b> Electric register in aluminum housing for display of flow and total quantity, 7-digit LCD, IP67 (NEMA 4), without explosion protection, menu language German/English	<b>7MV1070-</b>
<b>Signal input</b> NAMUR signal	<b>A 0</b> 1
<b>Power supply</b> Incl. sensor supply 8.2 V DC 24 V AC/DC <sup>1)</sup> 230 V AC <sup>1)</sup> 16 ... 30 V DC <sup>2)</sup>	<b>A</b> <b>B</b> <b>C</b>
<b>Function (output)</b> Display of flow and total value Additional active pulse output <sup>1)</sup> Additional passive pulse output Additional active pulse output and current output <sup>1)</sup> Additional passive pulse output and current output	<b>A 0</b> <b>B 1</b> <b>B 2</b> <b>C 1</b> <b>C 2</b>
<b>Installation</b> For wall mounting For additional mounting at compact version	<b>0</b> <b>1</b>
<b>Explosion protection</b> without EEx ia IIB/IIC T4 up to max. 100 °C	<b>0</b> <b>1</b>
<b>LED background lighting</b> without with background lighting	<b>A</b> <b>B</b>

1) Not for ATEX version  
2) For ATEX version only

Note:  
Cable glands for M20 are not included in delivery.

### Dimensional drawings



Electric flow register SITRANS F RA110, dimensions in mm (inch)