

Level Measurement

Continuous level measurement – Ultrasonic controllers

SITRANS LU01 and LU02

Selection and Ordering data

Further designs

Please add "-Z" to Article No. and specify Order code(s).

Stainless steel tag [69 x 50 mm (2.71 x 1.97 inch)]:
Measuring-point number/identification
(max. 27 characters) specify in plain text

Order code

Y15

Operating Instructions

SITRANS LU01

English

Article No.

7ML1998-5BE02

French

7ML1998-5BE12

German

7ML1998-5BE32

SITRANS LU02

English

7ML1998-5BD02

French

7ML1998-5BD12

German

7ML1998-5BD32

Note: The Operating Instructions should be ordered as a separate line item.
This device is shipped with the Siemens Milltronics manual DVD containing the ATEX Quick Start and Operating Instructions library.

Other Operating Instructions

SmartLinx Allen-Bradley Remote I/O, English

7ML1998-1AP03

SmartLinx PROFIBUS DP, English

7ML1998-1AQ03

SmartLinx PROFIBUS DP, German

7ML1998-1AQ33

SmartLinx PROFIBUS DP, French

7ML1998-1AQ13

SmartLinx Modbus, English

7ML1998-1BF01

SmartLinx Modbus, German

7ML1998-1BF31

SmartLinx Modbus, French

7ML1998-1BF11

SmartLinx Modem, English

7ML1998-1BG01

Note: The appropriate SmartLinx Operating Instructions should be ordered as a separate line on the order.

Selection and Ordering data

Accessories

Handheld programmer

7ML1830-2AN

Tag, stainless steel, 12 x 45 mm (0.47 x 1.77 inch),
one text line, suitable for enclosures

7ML1930-1AC

M20 cable gland kit (6 M20 cable glands,
6 M20 nuts, 3 stop plugs)

7ML1830-1GM

M20 cable gland kit (4 M20 cable glands,
4 M20 nuts, 4 washers)

7ML1930-1FV

TS-3 Temperature Sensor - see TS-3 on page 4/190

7ML1830-2AN

Sunshield kit, 304 stainless steel

7ML1930-1GA

Spare parts

Card, LU01 mother main, AC, comm ready

7ML1830-1KX

Card, LU02 mother main, AC, comm ready

7ML1830-1MA

Card, LU02 daughter, comm ready

7ML1830-1LP

Card, LU01 daughter, comm ready

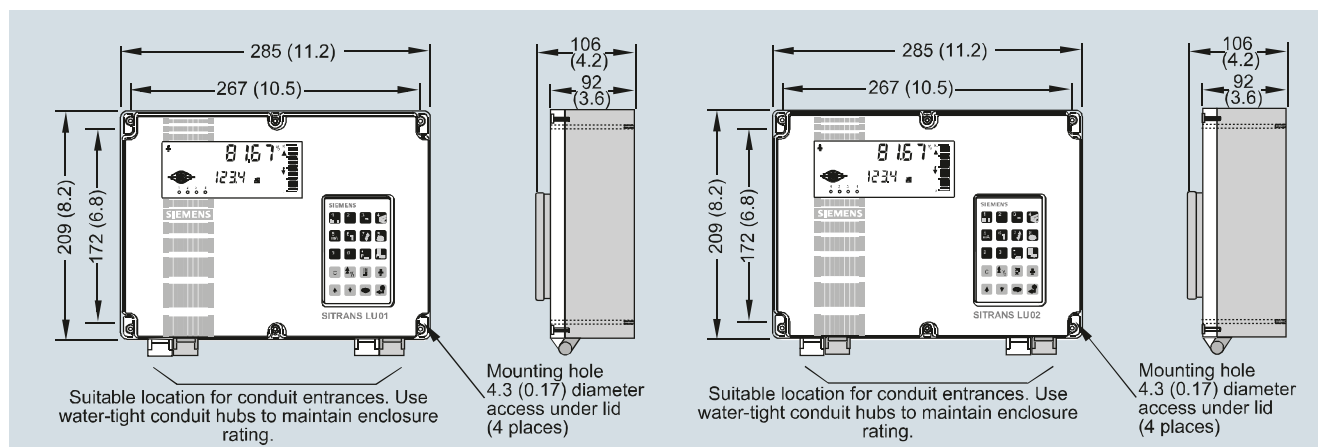
7ML1830-1LN

Card, display

7ML1830-1LQ

See SmartLinx product page 4/337 for more information.

Dimensional drawings



Dimensional drawings for SITRANS LU01 (left) and SITRANS LU02 (right), dimensions in mm (inch)