

OEM relative pressure transmitter type 506



Pressure range

-0.5 ... 7 bar / 0 ... 10 – 60 bar



Type 506 pressure transmitters are suitable for different applications in the field of industrial refrigeration due to its application specific pressure connections.

Partially automated manufacturing allows the efficient production of large quantities, resulting in an excellent price / performance ratio.

- Compact construction
- Automated manufacture in large quantities for ideal price / performance ratio
- Robust ceramic sensor technology
- High resistance to extreme temperatures
- No mechanical creepage

Technical overview

Pressure range

Relative -0.5 ... 7 bar / 0 ... 10 – 60 bar

Operating conditions

Medium		Refrigerants
Temperature	Medium / ambient	-40 ... +80 °C
	Storage	-40 ... +80 °C
Tolerable overload		2 x fs (max. 80 bar)
Rupture pressure		3 x fs (max. 90 bar)

Materials

Case		PA6, red
Materials in contact with the medium	Sensor	Ceramic Al ₂ O ₃ (96%)
	Pressure connection	Stainless steel 1.4305 / AISI 303
	Sealing material	CR (chlorine caoutchouc)

Electrical overview

	Output	Power supply	Load	Current consumption ¹⁾
2 wire	4 ... 20 mA	8.0 ... 33 VDC	$< \frac{\text{supply voltage} - 8 \text{ V}}{0.02 \text{ A}}$ [Ohm]	< 20 mA
	4 ... 20 mA	10.0 ... 33 VDC	$< \frac{\text{supply voltage} - 10 \text{ V}}{0.02 \text{ A}}$ [Ohm]	< 20 mA
3 wire	0 ... 5 V	9.0 ... 33 VDC	> 10 kOhm / < 100 nF	< 5 mA
	1 ... 6 V	10.4 ... 33 VDC	> 10 kOhm / < 100 nF	< 5 mA
	0 ... 10 V	16.2 ... 33 VDC	> 10 kOhm / < 100 nF	< 6 mA
	ratio: 10 ... 90%	5 VDC ±5%	> 10 kOhm / < 100 nF	< 3 mA
Polarity reversal protection Short circuit proof and protected against polarity reversal. Each connection is protected against crossover up to max. supply voltage.				

Dynamic response

Response time	< 5 ms
Load cycle	< 50 Hz

Protection standard

IP 65

Electrical connection

Cable 1.5 m
Connector DIN EN 175301-803-A
Connector DIN EN 175301-803-C (Mini DIN)
Connector M12x1 (pastic)

Pressure connection

Inside thread	$\frac{7}{16}$ - 20 UNF Schrader
Outside thread	$\frac{7}{16}$ - 20 UNF
	$\frac{1}{4}$ -18 NPT

Installation arrangement

Recommended: Pressure connection downwards

Tests / Admissions

Electromagnetic compatibility	CE conformity acc. EN 61326-2-3
-------------------------------	---------------------------------

Weight

With inside thread	~ 95 g
With outside thread	~ 110 g
With cable 1.5 m additional	~ 40 g

Packaging (Please state on order)

Single packaging in cardboard
Multiple packaging in cardboard per 25 pcs.

Accuracy

Parameter		Unit	0 ... 10 bar	> 10 ... 60bar
Tolerance zero point	max.	% fs	± 1.0	± 1.0
Tolerance full scale	max.	% fs	± 1.0	± 1.0
Resolution		% fs	0.1	0.1
Total of linearity, hysteresis and repeatability	max.	% fs	± 1.0	± 0.5
Long term stability acc. to DIN EN 60770		% fs	± 1.0	± 1.0
TC zero point ²⁾	max.	% fs/10K	± 0.4	± 0.4
TC sensitivity ²⁾	typ.	% fs/10K	- 0.15	- 0.15
TC sensitivity ²⁾	max.	% fs/10K	- 0.3	- 0.3

Test conditions: 25 °C, 45% RH, power supply 24 VDC
TC z.p. / TC s. -40 ... +80 °C

¹⁾ At nominal pressure

²⁾ TC = Temperature coefficient

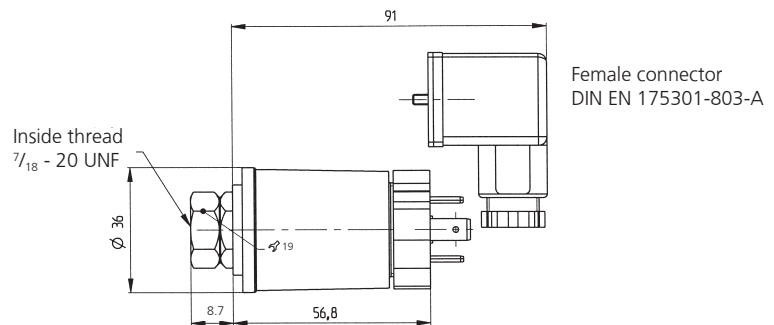
Order code selection table

506. 9 X X X X X X X X X

Pressure range	0 ... 10 bar		3	0																	
	0 ... 16 bar		3	1																	
	0 ... 25 bar		3	2																	
	0 ... 40 bar		3	3																	
	0 ... 60 bar		4	0																	
▲ Full scale signal at these pressures																					
Sealing material ¹⁾	CR																			A	
Adjustment	Factory																			0	
Output / power supply	0 ... 5 V	9.0 ... 33 VDC																		1	
	1 ... 6 V	10.4 ... 33 VDC																		6	
	0 ... 10 V	16.2 ... 33 VDC																		2	
	4 ... 20 mA	10.0 ... 33 VDC																		3	
	4 ... 20 mA	8.0 ... 33 VDC																		8	
	ration. 10 ... 90%	5 VDC ±5%																			4
Electrical connection	Cable 1.5 m																			0	
	Connector ²⁾ DIN EN 175301-803-A																			1	
	Connector ²⁾ DIN EN 175301-803-C (mini DIN)																			2	
	Connector ²⁾ M12x1 (plastic)																			3	
Pressure connection	Inside thread	7/16 - 20 UNF Schrader																		0	1
	Outside thread	7/16 - 20																		2	
	Outside thread	1/4 - 18 NPT																		3	
Pressure tip orifice	without																				1
	with																				2
Pressure range variation	Indicate W and state range on order (e.g.: W0...8bar/Out1...8V)																			W	

Storage versions

Output	4 ... 20 mA	Pressure range	Order number
Power supply	10 ... 33 VDC	-0.5 ... 7 bar	506.930A23101W-0.5...7 bar
Electrical connection ²⁾	Connector DIN EN 175301-803-A, IP 65	0 ... 25 bar	506.932A23101W0 ... 25 bar
Pressure connection	Inside thread 7/16-20 UNF		
Sealing material	CR (chlorine caoutchouc)		
Colour of cover	black		



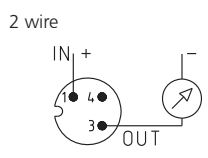
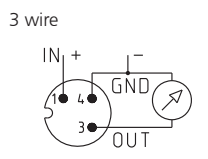
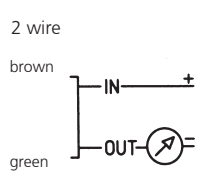
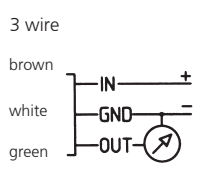
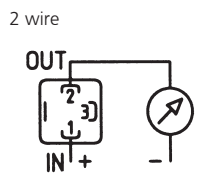
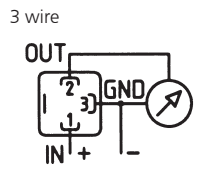
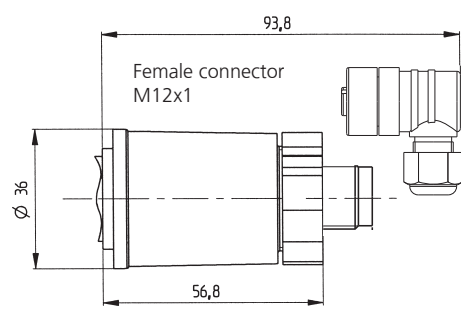
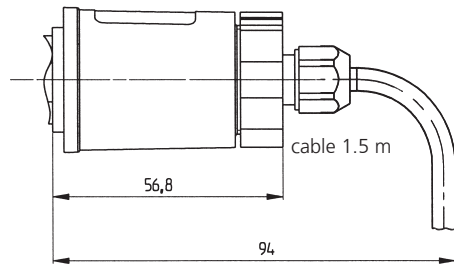
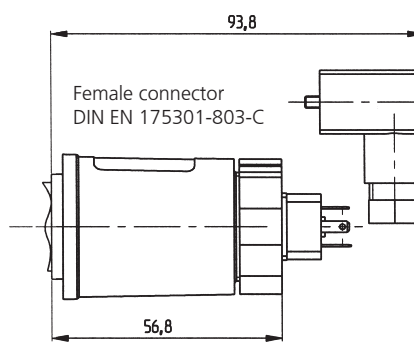
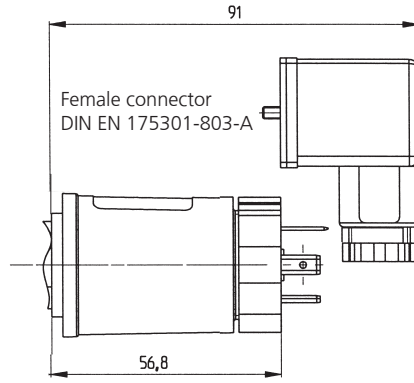
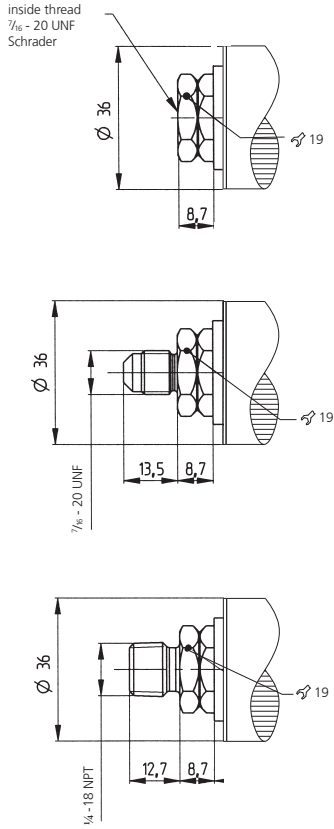
Accessories ³⁾

Female connector DIN EN 175301-803-A with seal (IP 65, when installed and latched)	Order number	103510
Female connector DIN EN 175301-803-C (mini DIN) with seal (IP 65, when installed and latched)		104244
Female connector M12x1		103524
Calibration certificate		104551

¹⁾ According to ISO standard R 1629, other sealing materials on request

²⁾ Without female connector

³⁾ Accessories supplied loose



Huba Control AG

Headquarters

Industriestrasse 17
5436 Würenlos
Telefon +41 (0) 56 436 82 00
Telefax +41 (0) 56 436 82 82
info.ch@hubacontrol.com

Huba Control AG

Niederlassung Deutschland

Schlattgrabenstrasse 24
72141 Walddorfhäslach
Telefon +49 (0) 7127 23 93 00
Telefax +49 (0) 7127 23 93 20
info.de@hubacontrol.com

Huba Control SA

Succursale France

Rue Lavoisier
Technopôle Forbach-Sud
57602 Forbach Cedex
Téléphone +33 (0) 387 847 300
Télécopieur +33 (0) 387 847 301
info.fr@hubacontrol.com

Huba Control AG

Vestiging Nederland

Hamseweg 20A
3828 AD Hoogland
Telefoon +31 (0) 33 433 03 66
Telefax +31 (0) 33 433 03 77
info.nl@hubacontrol.com

Huba Control AG

Branch Office United Kingdom

Unit 13 Berkshire House
County Park Business Centre
Shrivenham Road
Swindon Wiltshire SN1 2NR
Phone +44 (0) 1993 776667
Fax +44 (0) 1993 776671
info.uk@hubacontrol.com