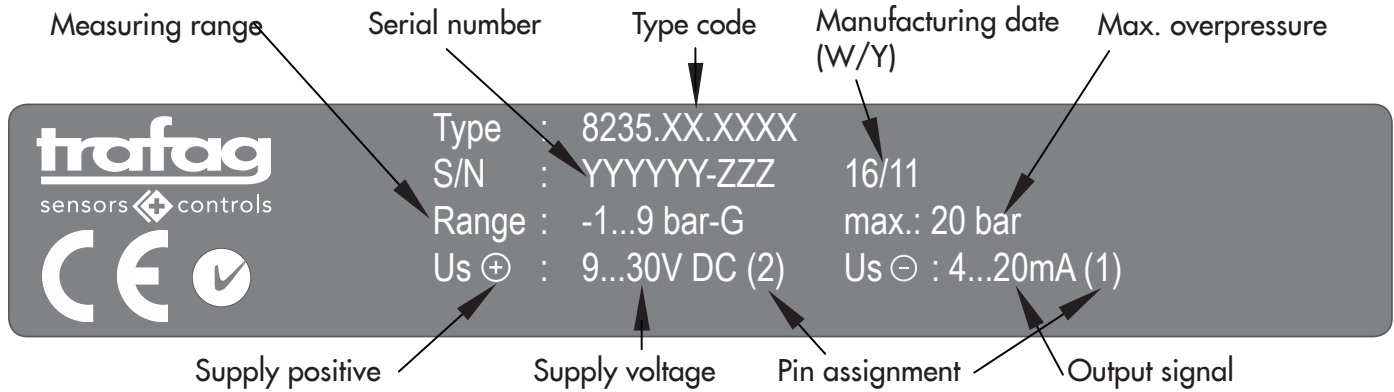


Technical specification

Mounting torque: 20 ... 25 Nm not lubricated / 15 ... 20 Nm lubricated
 Operating temperature: -40°C ... +85°C
 Media temperature: -40°C ... +125°C
 Sealing temperature range: -15°C ... +125°C Mat. FPM (FKM)
 -25°C ... +100°C Mat. NBR

Type label description



Electrical connections

Ingress Protection	IP65 ²⁾	IP67	IP68 max. 3m	IP67 ²⁾	IP67 ²⁾	IP65
Designation	EN175301-803A (DIN43650-A)	Cable* (PVC)(PUR) 4 x 0.25mm ²	Cable* (PVC)(PUR) 4 x 0.25mm ²	M12x1 5-pol.	Packard Metri Pack 3-pol.	Industrial Standard contact distance 9.4mm
Type code	8235.XX.XXXX 05	8235.XX.XXXX 22	8235.XX.XXXX 68	8235.XX.XXXX 35	8235.XX.XXXX 51	8235.XX.XXXX 01
Pin configuration						

Output

4 ... 20 mA
 0 ... 5 VDC
 1 ... 6 VDC
 0 ... 10 VDC
 0.5 ... 4.5 VDC

Load resistance

(U_{Supply} - 9V) / 20mA
 > 2.5 kΩ
 > 5.0 kΩ
 > 5.0 kΩ
 > 5.0 kΩ

I_{SUPPLY}

<10 mA
 <10 mA
 <10 mA
 <10 mA

U_{SUPPLY}

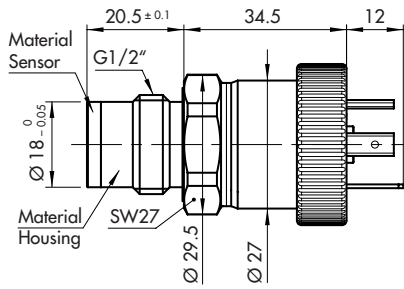
9 ... 30 VDC
 10 ... 30 VDC
 10 ... 30 VDC
 15 ... 30 VDC
 5 VDC ±0.25 V

²⁾ provided female connector is mounted according to instructions

* Ventilation via cable end; shield in the device is not connected

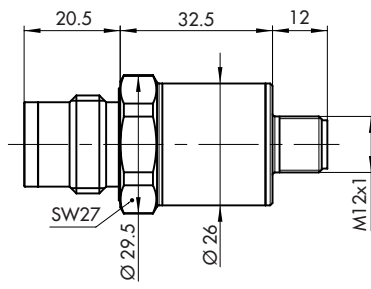
Electrical connections

Pressure connection

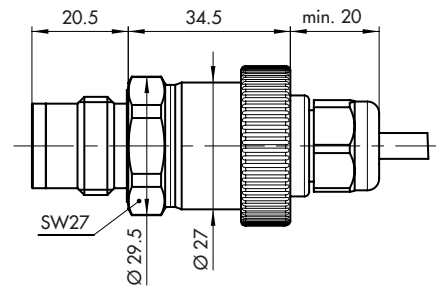


8235.XX.XX91.05.XX.XX

Sealing temperature range:
 -15°C ... +125°C Mat. FPM (FKM)
 -25°C ... +100°C Mat. NBR

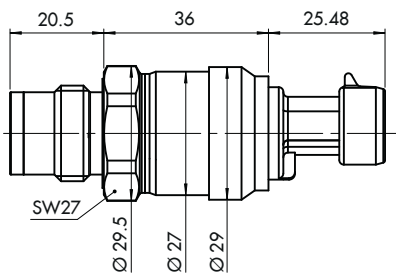


8235.XX.XX91.35.XX.XX

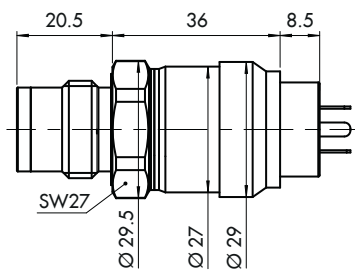


8235.XX.XX91.22.XX.XX

8235.XX.XX91.68.XX.XX

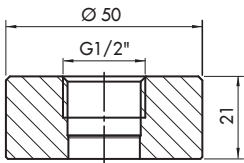
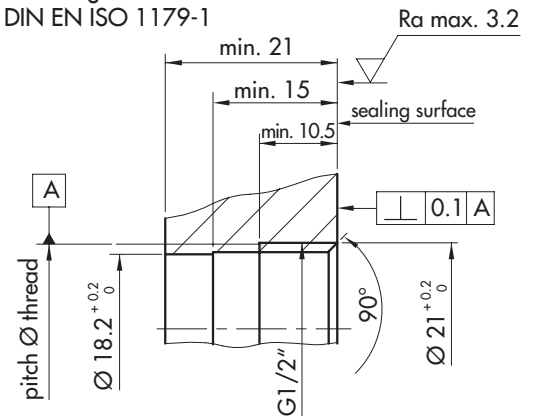


8235.XX.XX91.51.XX.XX



8235.XX.XX91.01.XX.XX

Mounting thread G1/2"
 DIN EN ISO 1179-1

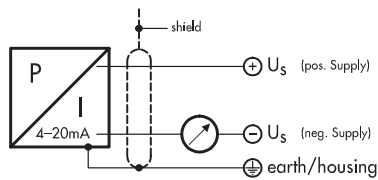


Welding flange for G1/2" (1.4301)
 Ordering No. C27804

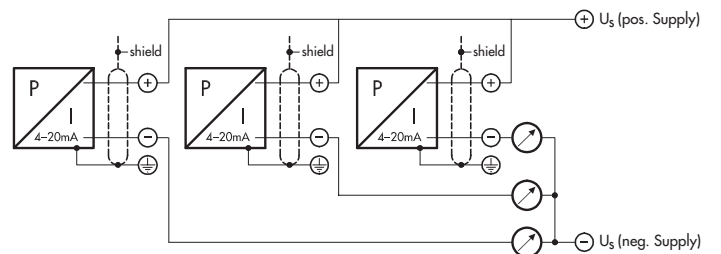
Connection of the measuring equipment

Current output 2-wires

single arrangement

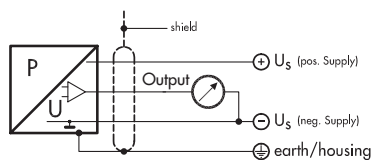


multiple arrangement



Voltage output 3-wires

single arrangement



multiple arrangement

