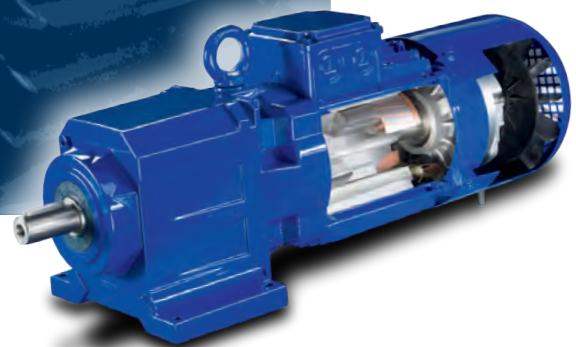


Bauer Gear Motor
Your driving
power since
1927



HISTORY

Innovation since 1927

In 1927 Esslingen entrepreneur Wilhelm Bauer began to free tooling and production machines from the need for cumbersome transmission shafts. He made the ingenious idea of the geared motor a reality, equipping a high speed electric motor with a gear wheel mechanism using the appropriate gear ratio. In the several decades since then, a knowledge base has been formed and is constantly being added to and passed on. It is not without reason that the Bauer brand has grown in world renown; and Bauer continues to build extremely efficient geared motors today. Bauer pioneered many geared motor solutions and no doubt will continue to do so in the future. We are proud of the structures that we have built up while making our experience available to our customers, both

technically and application specifically.

We offer application specific solutions for many sectors on the basis of our modular geared motor programme. Our aim is to tailor the product to our customers' needs, whilst paying attention to the requirement for a geared motor solution to achieve economies throughout its entire life cycle.

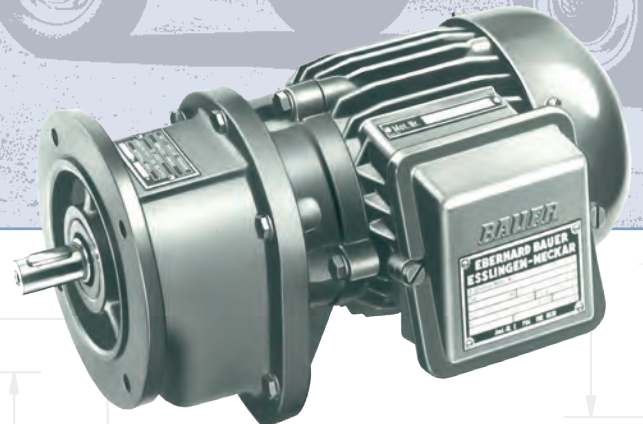
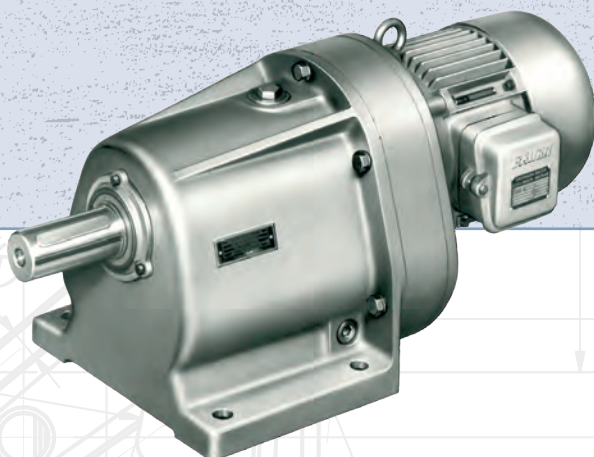
Low energy consumption, for example, will be particularly significant in the future if low life cycle costs are to be achieved. For this reason the geared motors that Bauer produces today are already equipped with highly efficient permanent magnet motors. This makes us confident of being the pioneer, in today's world as in 1927!

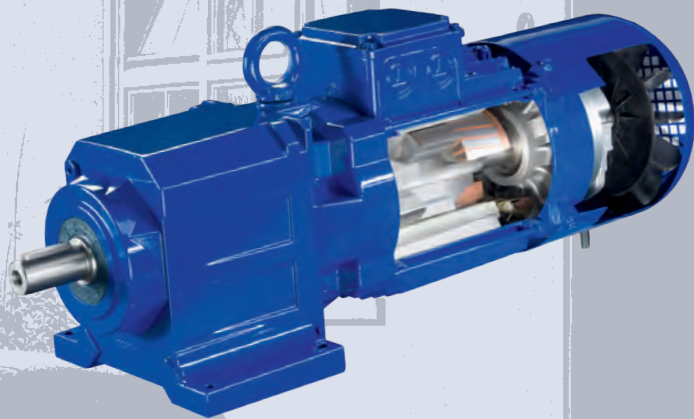
Our geared motors are used in many different fields. Examples of sectors with special focus are:

- Metal production (Basic Metal)
- Food and Beverage
- Crane, Lift, Hoist
- Bulk Material Handling

and many other sectors - water, wastewater and environmental technology plus textile and chemicals industry.

Bauer Gear Motor is a member of the power transmission specialist group, Altra, with an annual turnover of more than 740 million USD within electro-mechanical drive train solutions. Bauer geared motors are available all over the world and we are able to offer a drive solution for the complete electro-mechanical drive train.





BAUER

ES:0712



- 1927** On 21 March Wilhelm Bauer takes over an electro motor factory in Esslingen, Germany. The concept of the geared motor started establishing itself.
- 1936** Wilhelm Bauer passed away on 16 January 1936. His 21 year old son Eberhard had to take over the company.
- 1947** Inauguration of the first external office in Düsseldorf, Germany. Another 21 offices were to follow.
- 1959** Foundation of the first subsidiaries abroad (Belgium).
- 1962** Eberhard Bauer acquires a small motor factory in Munich, Germany.
- 1969** Delivery of geared motor number 1 million produced after the War.
- 1971** New premises are inaugurated in the Munich suburb Unterschleißheim.
- 1973** Bauer starts establishing assembly factories abroad. Most of these premises are owned by the company Bauer.
- 1980** The starting signal for a new generation of geared motors - the G-series.
- 1984** Eberhard Bauer dies at the age of 69. His son Rainer takes over together with two equal managing directors.
- 1987** The old date processing equipment is replaced by an IBM 4381 with a core memory capacity of 16 MB. There are a total of 74 screen workplaces.
- 1994** Value analytical principles form part of the development at Bauer.
- 1997** The launch of four completely new series under the name »BAUER 2000«.
- 2002** Start of production in Zlate Moravce Slovakia.
- 2011** Bauer becomes the newest brand in the Altra Industrial Motion Company. Bauer Gear Motor GmbH is born.

PRODUCT PLATFORM

Machine

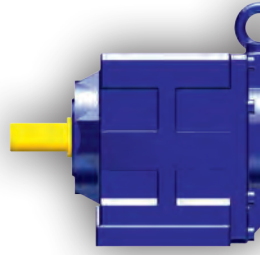
Transmission Elements

Simple mechanical connection to your machine



Geared

Low complexity through i



Modular Standard

- Conveying
- Material Handling



Application Specific Standard

- Food & Beverage
- Basic Metal
- Industries

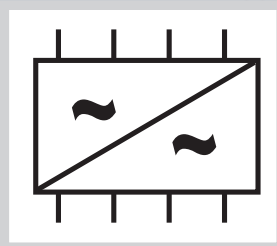
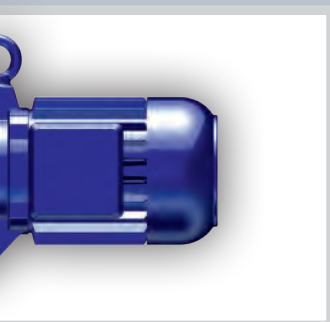


Customer Specific Standard

- Customer specific drive solutions

Motors

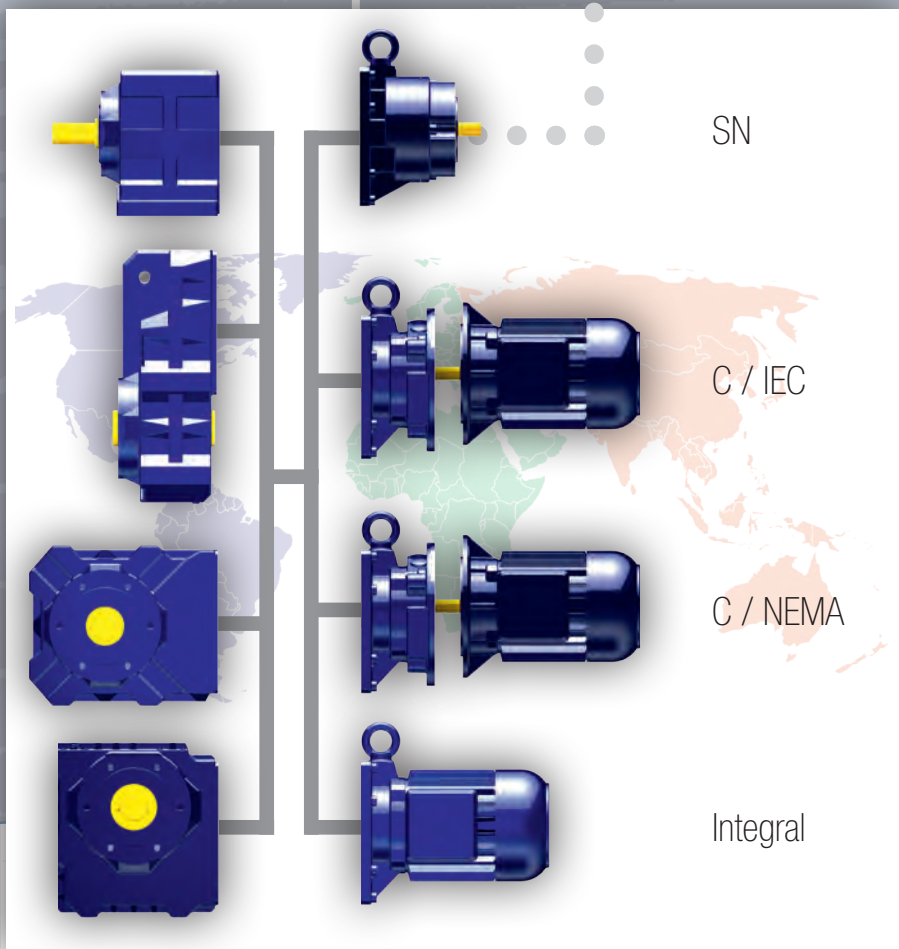
Intelligent modular system



Mains Supply

Control Electronics

Open systems for your application



MARKETS AND APPLICATION



WATER

Industry

Waste Water Treatment

Application

Mixers, Pumps



FOOD & BEVERAGE

Industry

Food & Beverage

Application

Conveyor Drive



SPECIALITY MACHINERY

Industry

Textile

Application

Carpet Machine



MATERIAL HANDLING

Industry

Crane and Hoist

Application

Horizontal and vertical movements



METALS & MINING

Industry

Surface Minerals

Application

Traction & Conveyor Drive



BASIC METAL

Industry

Steel Processing

Application

Roller Table Drive

MANUFACTURING EXCELLENCE



Design and assembly of technologically advanced geared motors

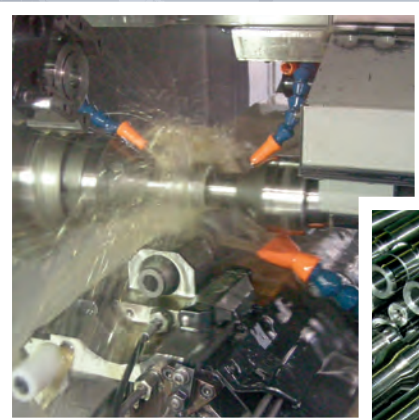


Customized components

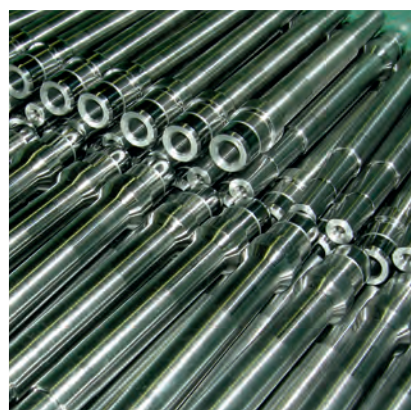
LEAN MANUFACTURING

Bauer Operational Excellence

Unique capability to dramatically improve customer response time in a low volume high mix environment



Machined parts



Over 1 million variations with a standard delivery time less than 2 weeks



R123 +7
R40(G)
-0
R40
47 ±



Esslingen, Germany

ed motor
nts



Zlaté Moravce, Slovakia



Shenzhen, China



Somerset, USA

ALTRA GLOBAL PRESENCE

A global footprint to support customers around the world

26 manufacturing locations worldwide

Direct sales coverage in over 25 countries



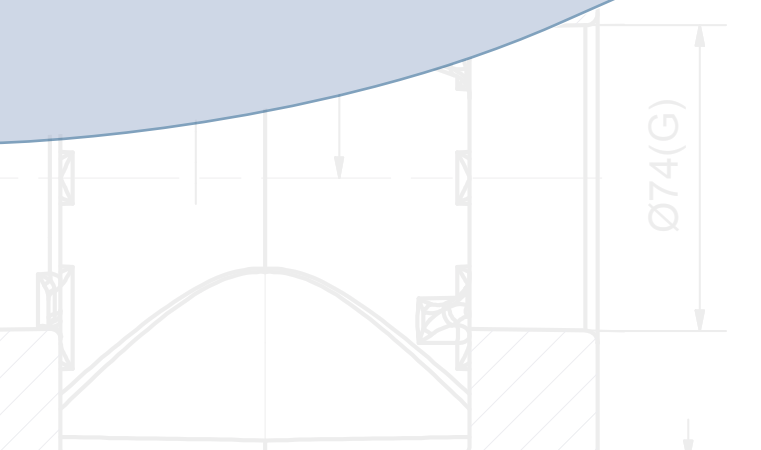
- Altra Headquarters
- Altra Manufacturing Facilities
- Altra Asia Pacific Offices

Total coverage in over 70 countries via extensive distribution network

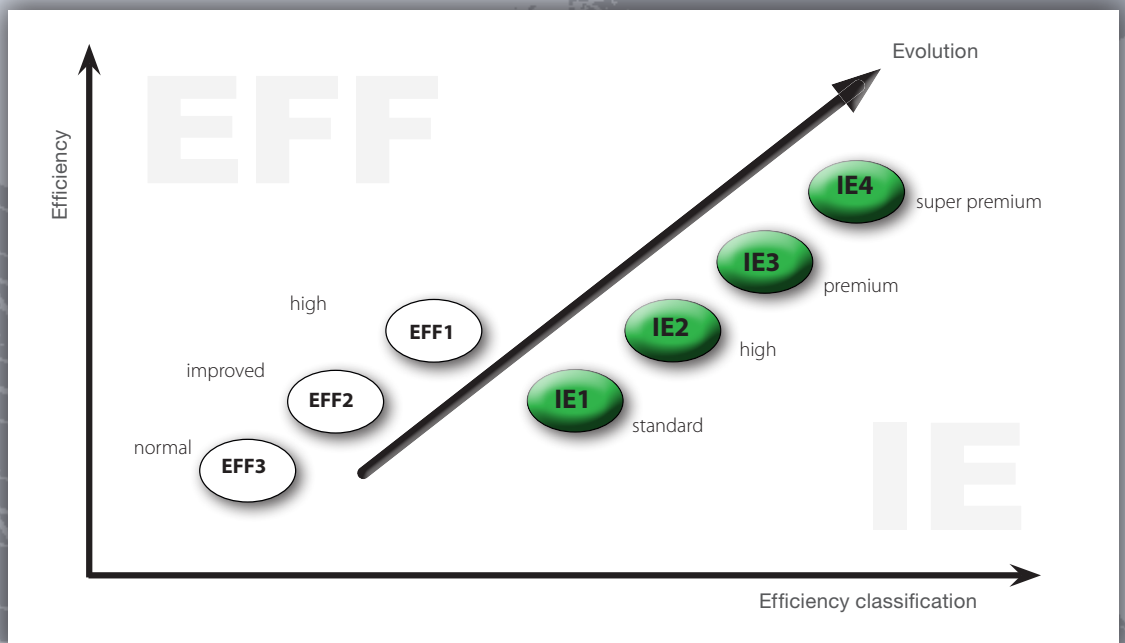
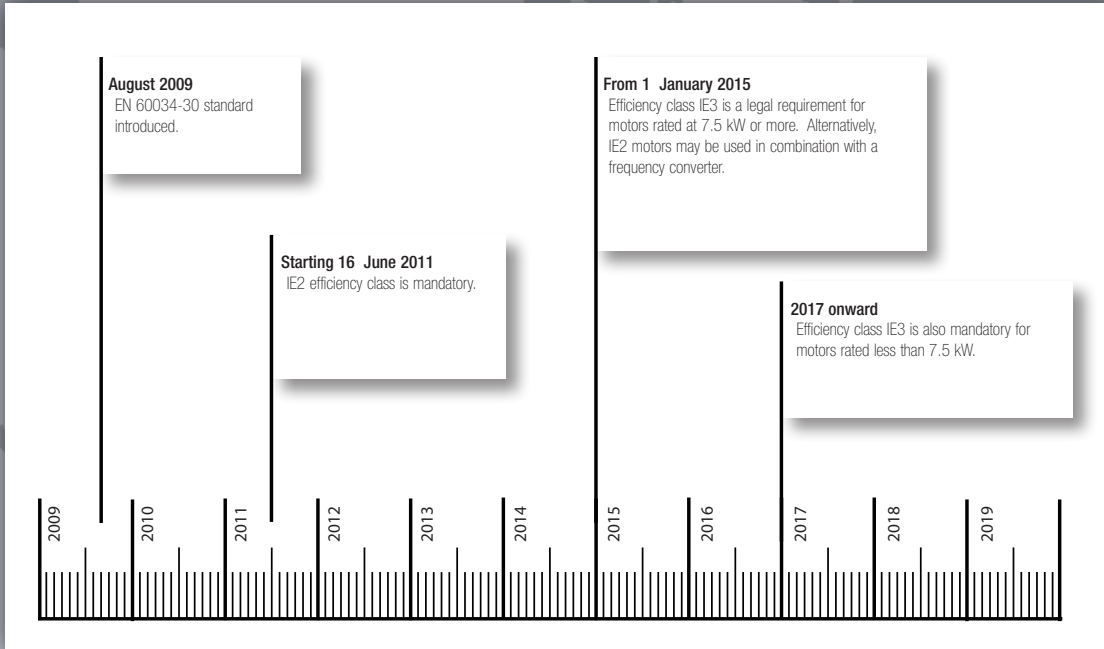


ive distributor network

We are a leading global designer and manufacturer of engineered electronical power transmission components utilized in a wide variety of industrial drivetrain applications.



ENERGY EFFICIENT SOLUTIONS





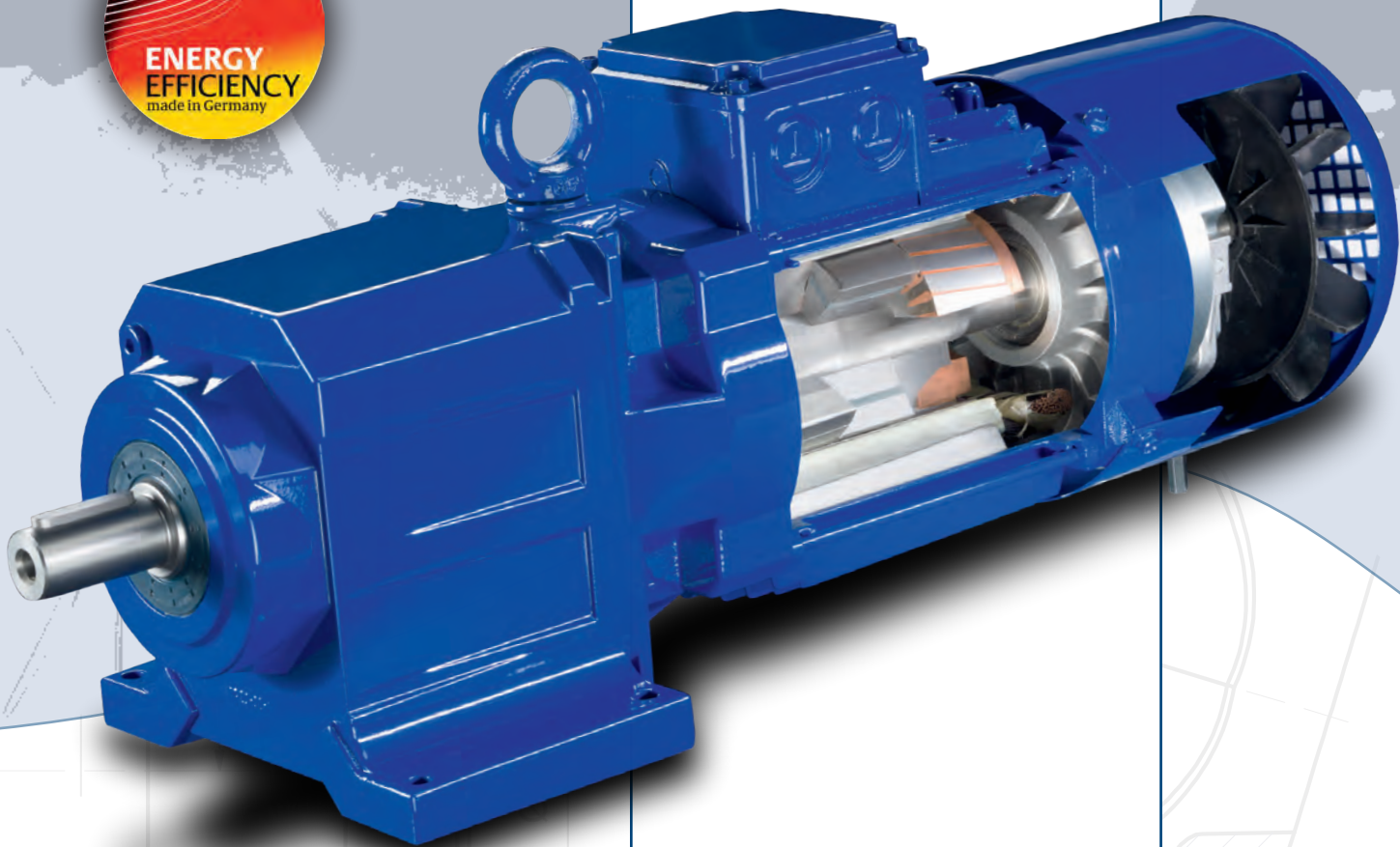
IE4



**Modular motor concept –
One platform**

**Super premium motors for
explosion proof applications**

Energy savings exceed 30%



THE GEAR MOTOR SPECIALIST

One global design specification supports customers around the world

Products meet or exceed government established energy efficiency requirements

Multiple specialized market focused products



Bauer
Gear

An Altra

**Strong custom
engineered design
capabilities**

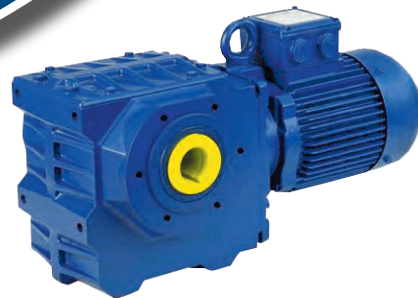


er[®]
r Motor

Industrial Motion Company

**The original gear
motor introduced
in 1927**

**Technical, engineering
oriented global sales
organization**



Ø74(G)

All Customer Service phone numbers shown in bold

Couplings

Ameridrives Couplings

Mill Spindles, Ameriflex, Ameridisc

Erie, PA - USA
1-814-480-5000

Gear Couplings

San Marcos, TX - USA
1-800-458-0887

Bibby Turboflex

*Disc, Gear, Grid Couplings,
Overload Clutches*

Dewsbury, England
+44 (0) 1924 460801

Boksburg, South Africa
+27 11 918 4270

TB Wood's

Elastomeric Couplings

Chambersburg, PA - USA
1-888-829-6637 – Press #5

*For application assistance:
1-888-829-6637 – Press #7*

General Purpose / Disc Couplings

San Marcos, TX - USA
1-888-449-9439

Ameridrives Power Transmission

*Universal Joints, Drive Shafts,
Mill Gear Couplings*

Green Bay, WI - USA
1-920-593-2444

Huco Dynatork

*Precision Couplings
and Air Motors*

Hertford, England
+44 (0) 1992 501900

Chambersburg, PA - USA
1-800-829-6637

Lamiflex Couplings

*Flexible Couplings, Bearing Isolators,
and Coupling Guards*

São Paulo, SP - Brasil
(11) 5679-6533

Linear Products

Warner Linear

Linear Actuators

Belvidere, IL - USA
1-800-825-6544

*For application assistance:
1-800-825-9050*

St Barthelemy d'Anjou, France
+33 (0) 2 41 21 24 24

Electromagnetic Clutches and Brakes

Warner Electric

*Electromagnetic Clutches
and Brakes*

New Hartford, CT - USA
1-800-825-6544

*For application assistance:
1-800-825-9050*

St Barthelemy d'Anjou, France
+33 (0) 2 41 21 24 24

*Precision Electric Coils and
Electromagnetic Clutches and
Brakes*

Columbia City, IN - USA
1-260-244-6183

Matrix International

*Electromagnetic Clutches
and Brakes, Pressure Operated
Clutches and Brakes*

Brechin, Scotland
+44 (0) 1356 602000

New Hartford, CT - USA
1-800-825-6544

Inertia Dynamics

*Spring Set Brakes; Power On and
Wrap Spring Clutch/Brakes*

New Hartford, CT - USA
1-800-800-6445

Overrunning Clutches

Formsprag Clutch

*Overrunning Clutches
and Holdbacks*

Warren, MI - USA
1-800-348-0881 – Press #1

*For application assistance:
1-800-348-0881 – Press #2*

Marland Clutch

*Roller Ramp and Sprag Type
Overrunning Clutches
and Backstops*

South Beloit, IL - USA
1-800-216-3515

Stieber Clutch

*Overrunning Clutches
and Holdbacks*

Heidelberg, Germany
+49 (0) 6221 30 47 0

Heavy Duty Clutches and Brakes

Wichita Clutch

Pneumatic Clutches and Brakes

Wichita Falls, TX - USA
1-800-964-3262

Bedford, England
+44 (0) 1234 350311

Twiflex Limited

Caliper Brakes and Thrusters

Twickenham, England
+44 (0) 20 8894 1161

Industrial Clutch

*Pneumatic and Oil Immersed
Clutches and Brakes*

Waukesha, WI - USA
1-262-547-3357

Gearing

Boston Gear

*Enclosed and Open Gearing,
Electrical and Mechanical
P.T. Components*

Charlotte, NC - USA
1-800-825-6544

*For application assistance:
1-800-816-5608*

Bauer Gear Motor

Geared Motors

Esslingen, Germany
+49 (711) 3518-0

Nuttall Gear and Delroyd Worm Gear

*Worm Gear and
Helical Speed Reducers*

Niagara Falls, NY - USA
1-716-298-4100

Belted Drives and Sheaves

TB Wood's

Belted Drives

Chambersburg, PA - USA
1-888-829-6637 – Press #5

*For application assistance:
1-888-829-6637 – Press #7*

Engineered Bearing Assemblies

Kilian Manufacturing

Engineered Bearing Assemblies

Syracuse, NY - USA
1-315-432-0700

Bauer Gear Motor

Bauer Gear Motor GmbH

Eberhard-Bauer-Strasse 36-60
73734 Esslingen - Germany

+49 711 3518 0
+49 711 3518 381 (Fax)
www.bauergears.com

Bauer Gear Motor Slovakia s.r.o.

Tovarenská 49
953 01 Zlate Moravce - Slovakia

+421 37 6926100
+421 37 6926181 (Fax)
www.bauergears.com

Bauer Gear Motor Limited

Nat Lane Business Park
Winsford, Cheshire
CW7 3BS - United Kingdom

+44 1606 868600
+44 1606 868603 (Fax)
www.bauergears.com

Bauer Gear Motor LLC

31 Schoolhouse Rd.
Somerset NJ 08873-1212 - USA

+1 732 469 8770
+1 732 469 8773 (Fax)
www.bauergears.com

Altra Industrial Motion (Shenzhen) Co., Ltd.

18 Huan Zhen Road Dabo
Industrial Zone - BoGoang Village
ShaJing Town - BaoAn District
Guangdong Province
518104 Shenzhen City - China

+86 755 27246308
+86 755 27246017 (Fax)
www.bauergears.com

Bauer assumes no liability or responsibility for misprints and errors in catalogues, brochures and other printed documentation. Bauer reserves the right to make changes to products without prior notice, including to products that have already been ordered, unless contractual technical specifications are affected by such changes. All trademarks in these publications are the sole and exclusive property of the relevant companies. Bauer and the Bauer logo are trademarks of Bauer Gear Motor GmbH. All rights reserved.



www.bauergears.com

Eberhard Bauer Straße 36-60
73734 Esslingen - Germany
Tel: +49 711 3518-0
Fax: +49 711 3518-381



P-7163-BGM-EN-A4 0613