

Ring Type, Coupled

MIEPL make diaphragm seals, mounted with pressure gauges, process transmitters, pressure switches etc. By using diaphragm seals, the measuring instruments can be used at extreme temperatures from -40 to +370 °C and with aggressive, corrosive, heterogeneous, abrasive, highly viscous or toxic media.

**FEATURES**

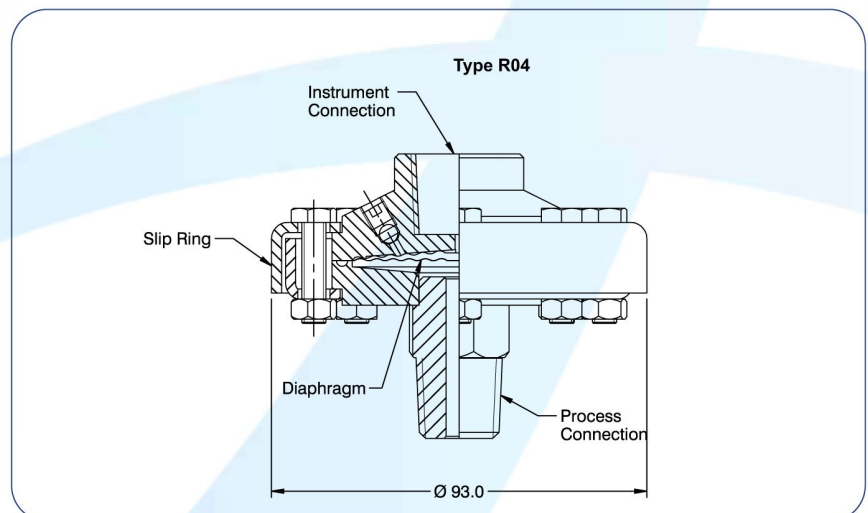
- Rigid construction
- welded diaphragm
- Optional exotic materials

APPLICATION

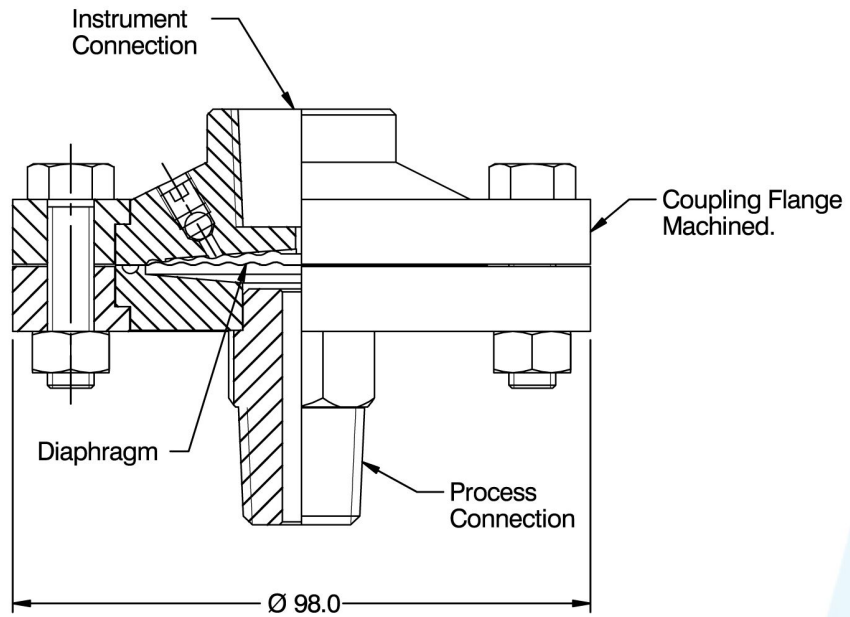
- Isolation applications
- Viscous & corrosive media
- High-pressure applications
- High vibration application

STANDARD SPECIFICATIONS

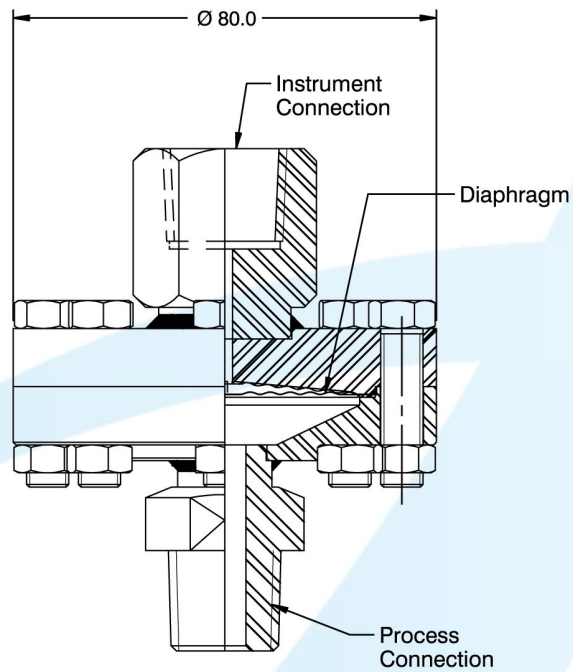
Range type	: -1...0 bar & 0...21 bar / 0...70 bar
Top chamber material	: AISI 304 SS
Diaphragm	: AISI 316 SS
Gaskets	: PTFE
Bottom chamber material	: AISI 316L SS
Instrument connection	: 1/2" NPT (F)
Sealing fluid	: Silicon DC 200 (-40...205°C)
Process connection	: 1/2" NPT (M)
Coupling flanges & hardware	: Pressed Steel - Cup design (plated) / AISI 304 SS
Protection on wetted parts	: Optional
Assembly	: Direct
Capillary	: Optional
Armour	: Optional
Remote mounting length	: Optional

DRAWING

Type R05



Type R06



All dimensions are in mm.

ORDERING CODE

MDS02 - R04 - CC - DG - RP - BF - 4NF - FA - 4NM - LD - B8

1. RANGE TYPE	-1...0 bar & 0...21 bar						R04											
	-1...0 bar & 0...70 bar						R05											
	-1...0 bar & 0...160 bar						R06											
2. TOP CHAMBER MATERIAL	AISI 304 SS																	CC
	AISI 316L SS																	CG
	AISI 316 SS																	CF
3. DIAPHRAGM MATERIAL	AISI 316L SS	DG	Silver coated	D8	Tantalum	DW												
	Hastelloy C-276	DO	Monel 400	DM														
	Titanium	DV	Inconel 600	DQ														
4. GASKETS	PTFE																	RP
	Metal																	RM
5. BOTTOM CHAMBER MATERIAL	AISI 304 SS	BC	Tantalum	BW	Titanium													BV
	AISI 316L SS	BG	AISI 316 SS	BF														
	Hastelloy C-276	BO	Monel 400	BM														
6. INSTRUMENT CONNECTION	3/8" BSP (F)	3BF			1/2" NPT (F)													4NF
	1/4" BSP (F)	2BF			1/2" BSP (F)													4BF
	1/4" NPT (F)	2NF																
7. SEALING FLUID	Silicon DC 200 [-40°C to 205°C]																	FA
	Food grade oil [-20°C to 140°C]																	FF
	Glycerine [10°C to 150°C]																	FG
	Syltherm 800 [-40°C to 315°C]																	FI
	Silicon DC 710 [7°C to 371°C]																	FL
8. PROCESS CONNECTION	1/4" BSP (M)	2BM			3/8" BSP (M)													3BM
	1/2" BSP (M)	4BM			4/1" NPT (M)													2NM
	1/2" NPT (M)	4NM			4/1" NPT (F)													2NF
	1/2" NPT (F)	4NF			4/1" BSP (F)													2BF
	1/2" BSP (F)	4BF			M20X1.5 n n m (M)													2MM
9. COUPLING FLANGES & HARDWARES	Pressed Steel - Cup design (plated)	LO			AISI 316 SS - Machined													LH
	AISI 304SS - Machined	LD																
10. PROTECTION ON WETTED PARTS	PTFE lining on bottom chamber3	PA			PTFE coating on diaphragm or wetted parts													PC
	PTFE protection for diaphragm	PB																
11. ASSEMBLY	Direct	B8																Remote(capillary)
12. CAPILLARY	AISI 304 SS	O U																AISI 316 SS
13. ARMOUR	AISI 304 SS			OX														AISI 316 SS
	PVC (Ambient max. 60°C)			OZ														
14. REMOTE MOUNTING LENGTH	1000 mm up to 6000 mm																XXXX	
14. OTHER OPTIONS	Dry seal			XZ														Material test certificate 3.1
	Helium leak test			SL														
	Material test certificate 2.2			SM														

Ordering Example **MDS02 - R04 - CC - DG - RP - BF - 4NF - FA - 4NM - LD - B8**

1. Different sealing liquids Can be Provided, Please Refer Factory.
2. Option PG has to be Selected Essentially if Option PA is Chosen for Diaphragm DG .