

High Pressure Mini Seal

MIEPL make diaphragm seals, mounted with pressure gauges, process transmitters, pressure switches etc. By using diaphragm seals, the measuring instruments can be used at extreme temperatures from -40 to +370 °C and with aggressive, corrosive, heterogeneous, abrasive, highly viscous or toxic media.



FEATURES

- ⇒ Economical and light weight
- ⇒ All welded construction
- ⇒ welded diaphragm

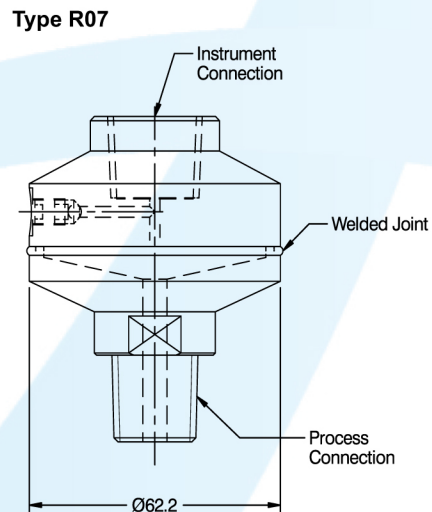
APPLICATION

- ⇒ Isolation applications
- ⇒ Viscous & corrosive media
- ⇒ High-pressure applications
- ⇒ High vibration application

STANDARD SPECIFICATIONS

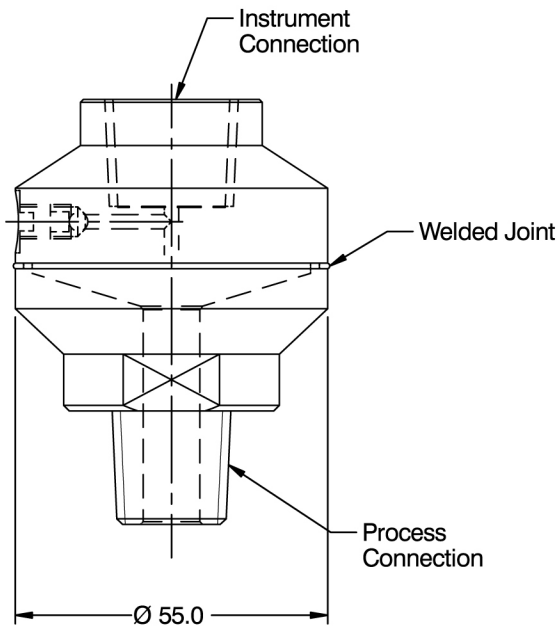
Range type	: -1...0 bar & 0...2.5 bar / 4...70 bar / 100...250 bar / 280...600 bar
Chamber material	: AISI 304 SS
Diaphragm	: AISI 316 SS
Instrument connection	: 1/2" NPT (F)
Sealing fluid	: Silicon DC 200 (-40...205°C)
Process connection	: 1/2"NPT (M)
Assembly	: Direct
Capillary	: Optional
Armour	: Optional
Remote mounting length	: Optional

DRAWING



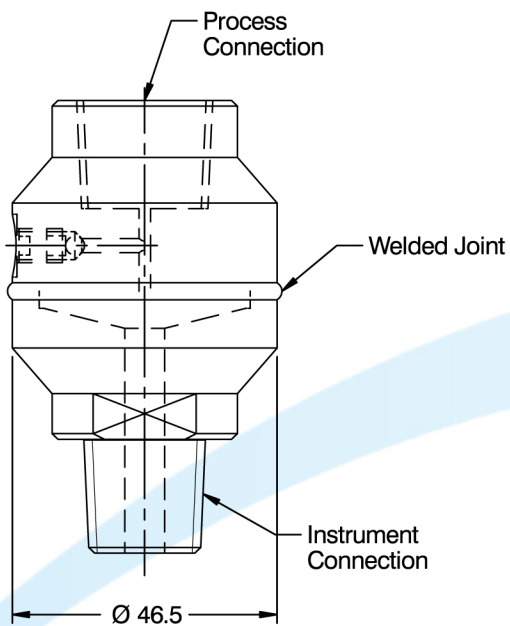
All dimensions are in mm.

Type R08

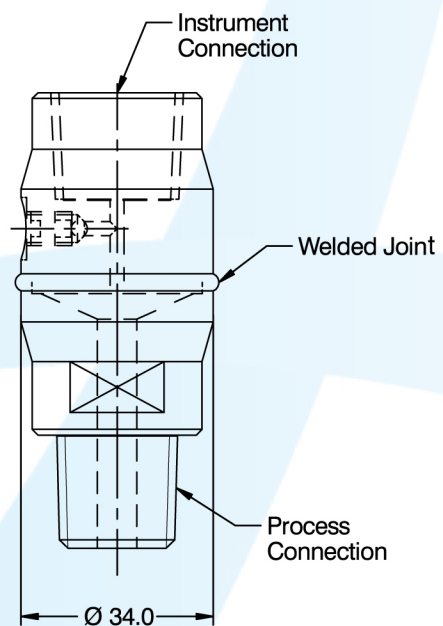


All dimensions are in mm.

Type R09



Type R10



All dimensions are in mm.

ORDERING CODE

MDS03 R07 - CF - DG - 2BF - FA - 2BM - B8 - XZ

1. RANGE TYPE	-1...0 bar & 0...2.5 bar	R07							
	4...70 bar	R08							
	100...250	R09							
	bar280...600 bar	R10							
2. CHAMBER MATERIAL	AISI 316 SS	CF							
	Monel 400	BM							
	AISI 316L SS	CG							
	Hastelloy C-276	BO							
3. DIAPHRAGM MATERIAL	AISI 316L SS	DG							
	Titanium	DV							
	Monel 400	DM							
	Tantalum	DW							
	Hastelloy C-276	DO							
	Silver coated	D8							
	Inconel 600	DQ							
4. INSTRUMENT CONNECTION	3/8" BSP (F)					3BF			
	1/4" BSP (F)					2BF			
	1/4" NPT (F)					2NF			
	1/2" NPT (F)					4NF			
	1/2" BSP (F)					4BF			
5. SEALING FLUID	Silicon DC 200 [-40°C to 205°C]					FA			
	Food grade oil [-20°C to 140°C]					FF			
	Glycerine [10°C to 150°C]					FG			
	Syltherm 800 [-40°C to 315°C]					FI			
	Silicon DC 710 [7°C to 371°C]					FL			
6. PROCESS CONNECTION	1/4" BSP (M)	2BM	1/4" BSP (F)	2BF	M20 x 1.5 (M)	4MM			
	1/2" BSP (M)	4BM	3/8" BSP (F)	3BF	2/1" NPT (F)	4NF			
	1/2" NPT (M)	4NM	3/8" BSP (M)	3BM	2/1" BSP (F)	4BF			
	1/4" NPT (F)	2NF	4/1" NPT (M)	2NM					
7. ASSEMBLY	Direct							B8	
	Remote (capillary)							B9	
8. CAPILLARY	AISI 304 SS							OU	
	AISI 316 SS							OV	
9. ARMOUR	AISI 304 SS	OX			AISI 316 SS			OY	
	PVC (Ambient max. 60°C)	OZ							
10. REMOTE MOUNTING LENGTH	1000 mm up to 4000 mm							XXXX	
11. OTHER OPTIONS	Dry seal	XZ			Weld constructed bottom chamber(Eco version)		E8		
	Helium leak test	SL							
	Material test certificate 2.2	SM							
	Material test certificate 3.1	SC							

Ordering Example MDS03 - R07 - CF - DG - 2BF - FA - 2BM - B8 - XZ

1. Different sealing liquids Can be Provided, Please Refer Factory.
2. Remote mounting applicable in range type R07,R08 & R09.