

*Floating Ring Type*

**MIEPL** Pulp Seal used in Paper and Pharma Industries. Seals are mounted with pressure gauges, process transmitters, pressure switches etc. mounted with pressure gauges, process transmitters, pressure switches etc. By using diaphragm seals, the measuring instruments can be used at extreme temperatures from -40 to +370 °C and with Food and Pharma application & Pulp application.



**FEATURES**

- ⇒ Floating ring design
- ⇒ welded flush diaphragm
- ⇒ Anti-vibration connectors

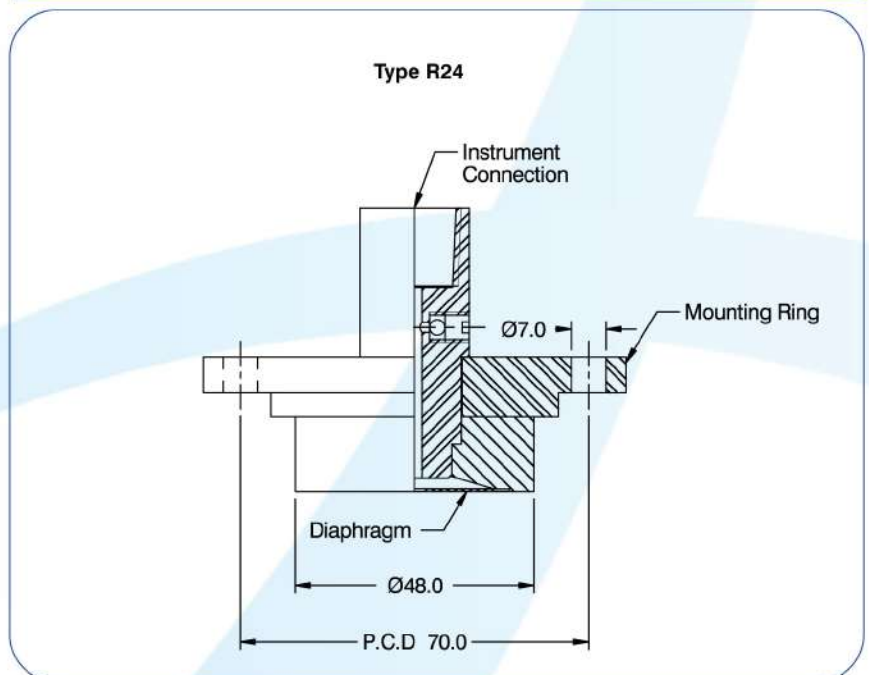
**APPLICATION**

- ⇒ Paper & Pulp industries
- ⇒ Isolation applications

**STANDARD SPECIFICATIONS**

Range type	: 4...40 bar
Chamber material	: AISI 316 SS
Diaphragm	: AISI 316L SS
Gaskets	: PTFE
Anti-Vibration spring mounting	: Straight
Instrument connection	: 1/2" NPT (F)
Sealing fluid	: Silicon DC 200 (-40...205°C)
Process connection	: Floating ring
Assembly	: Direct

**DRAWING**



All dimensions are in mm.

## ORDERING CODE

MDS12 - R24 - CF - DG - B4 - 4NF - FA - B8

1. RANGE TYPE	4...40 bar	R24						
2. CHAMBER & FLANGE MATERIAL	AISI 316 SS	CF						
	AISI 316L SS	CG						
3. DIAPHRAGM MATERIAL	<b>AISI 316L SS</b>		DG					
4. ANTI-VIBRATION SPRING	Straight type			B4				
	90° Angular type			B5				
5. INSTRUMENT CONNECTION	3/8" BSP (F)						3BF	
	1/2" NPT (F)						4NF	
	1/4" BSP (F)						2BF	
	1/2" BSP (F)						4BF	
	1/4" NPT (F)						2NF	
6. SEALING FLUID	Silicon DC 200 [-40°C to 205°C]							FA
	Food grade oil [-20°C to 140°C]							FF
7. ASSEMBLY	<b>Direct</b>							B8
8. OTHER OPTIONS	Dry seal							XZ
	Helium leak test							SL
	Material test certificate 2.2							SM
	Material test certificate 3.1							SC

Ordering Example **MDS12 - R24 - CF - DG - B4 - 4NF - FA - B8**