

Flanged

MIEPL make Integral Diaphragm Seal Pressure Gauges are based on the Diaphragm sensing system. The modular design enables a multitude of combinations of case materials, process connections, nominal sizes and scale ranges.

**FEATURES**

- ⇒ Welded diaphragm
- ⇒ Full welded construction
- ⇒ Zero-leak design

APPLICATION

- ⇒ Oil & Gas applications
- ⇒ Corrosive environments

REFERENCE

- ⇒ EN 837-3

STANDARD SPECIFICATIONS

Dial size	: DN100 / DN150
Range	: -1...400 bar
Mounting pattern	: Direct, Bottom connection
Process connection	: 1½" RF 150# as per ANSI B16.5
Seal filling fluid	: Silicon DC 200
Ingress protection	: IP 65
Execution	: Dry

STANDARD PARAMETERS

Accuracy	: CL 1.6
Ambient Temperature	: -40...+65°C (without dampening liquid) : -20...+65°C (with dampening liquid)
Service Temperature	: 10...150°C max.
Pressure limits	: Steady pressure up to FS value
Weld joints	: TIG argon arc welding

MATERIAL OF CONSTRUCTION

Sensing Element	: Diaphragm
Case & Ring material	: AISI 304 SS (Bayonet type)
Diaphragm, Bourdon tube & Shank	: AISI 316L SS (Shank welded directly to case)
Movement mechanism	: AISI 304 SS
Seal body	: AISI 316 SS
Dial	: Aluminum, black graduation on white background
Pointer	: Micro-zero adjustable, aluminum, black powder coated
Gaskets, Blow off disc & filling plug	: Neoprene / NBR
Window	: Shatterproof safety glass

STANDARD SPECIFICATIONS : DAMPENING LIQUID FILLED, GLYCERIN

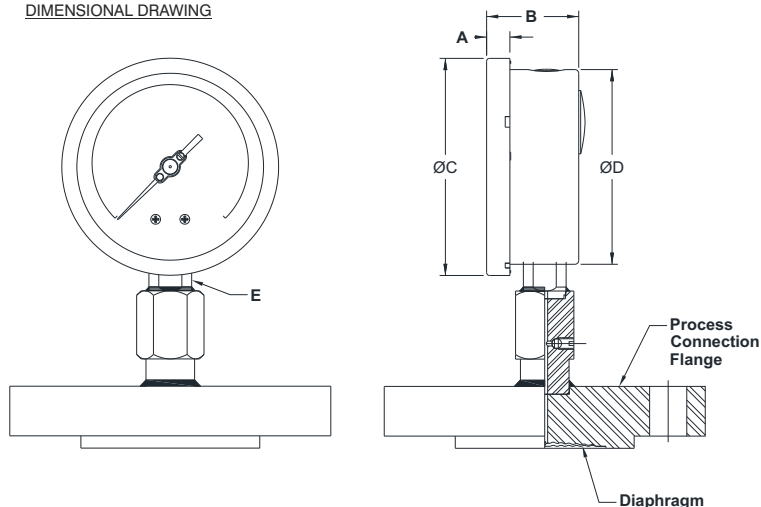
Accuracy	: CL 2.5
Window	: Plexi glass
Dampening liquid	: Glycerin 99.7%

TEMPERATURE EFFECT

Please refer clause no 9.3 of EN 837-1

DRAWING

DIMENSIONAL DRAWING



DN	100	150
A	12	15
B	48	48
ØC	111	161
ØD	100	149
E	SQ.22	SQ. 22
Weight (gm)	5080	5370

All dimensions are in mm.

ORDERING CODE

MP27 - F - XXX - 1A - A25 - IP2 - E1

1. DIAL SIZE	100 mm / 4"	D				
	150 mm / 6"	F				
2. RANGE	Refer "Range Table"		XXX			
3. MOUNTING PATTERN	Direct Bottom connection			1A		
4. PROCESS CONNECTION	1½" RF 150#				A25	
	1½" RF 300#				A26	
	1½" RF 600#				A27	
	2" RF 150#				A31	
	2" RF 300#				A32	
	2" RF 600#				A33	
	Other thread size and standards available on request. ¹					
5. INGRESS PROCESS	IP 65					IP2
6. EXECUTION	Dry					E1
	Dry but fillable					E2
	Dampening liquid filled, glycerine					E4
	Dampening liquid filled, silicon oil ²					E5
7. OTHER OPTIONS	5 - point calibration certificate	SA	Material test certificate 3.1	SC	SS tag plate, AISI 304 SS	WF
	Custom designed dial	WR	Material test certificate 2.2	SM	Rubber parts, Viton	QA
	Dial tag marking	WT	SS tag plate, AISI 316 SS	WG	Rubber parts, NBR	QN

Ordering Example : **MP27 - F - XXX - 1A - A25 - IP2 - E1**

1. For other connections, please contact factory.
2. Rubber parts shall be in Viton.