

Economical

MIEPL make Utility Pressure Gauges are based on the proven Bourdon tube measuring system. On pressurization, the deflection of the Bourdon tube, proportional to the incident pressure, is transmitted to the movement via a link and indicated. Due to this high variance, the instrument is suitable for use in a wide range of applications within OEM industry.

**FEATURES**

- Economical version
- General purpose
- Compact case
- Dry execution

APPLICATION

- HVAC & FLR Units
- Valve positioners
- Water & Air applications
- Allied process industries

REFERENCE

- EN 837-3

STANDARD SPECIFICATIONS

Dial size	: DN40 / DN50 / DN63 / DN80 / DN100 / DN150 & DN250
Range	: -1...70 bar (DN40), -1...400 bar (DN50 / DN63 / DN80)
Mounting pattern	: Direct, Bottom connection
Process connection	: 1/4" NPT (M) / 1/4" BSP (M)
Execution	: Dry

STANDARD PARAMETERS

Accuracy	: CL 1.6 (DN63, DN80, DN100, DN150 & DN250) : CL 2.5 (DN40 & DN50)
Ambient Temperature	: -30...+65°C
Service Temperature	: 150°C max
Pressure limits	: Steady pressure up to 75% of FS value : Short time 1.3 x FS value for range up to 100 bar : Short time 1.15 x FS value for ranges 100 up to 600 bar : Short time 1.1 x FS value for ranges above 600 bar
Joints	: Silver alloy brazing / soldering

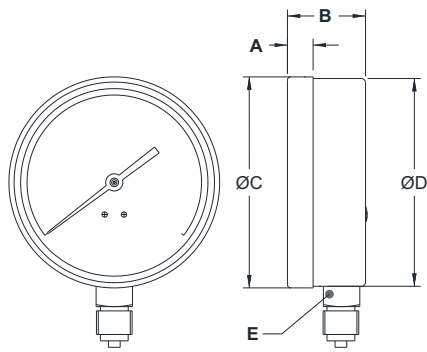
MATERIAL OF CONSTRUCTION

Sensing Element	: Bourdon Tube (<100 bar : C - type , >100 bar : Helical)
Case & Ring material	: Steel, powder coated / painted (Push fit type)
Bourdon tube & Shank	: Phospher Bronze
Movement mechanism	: Copper Alloy
Dial	: Aluminum, black graduation on white background
Gaskets	: Fixed, aluminum, black powder coated
Window	: Sheet glass

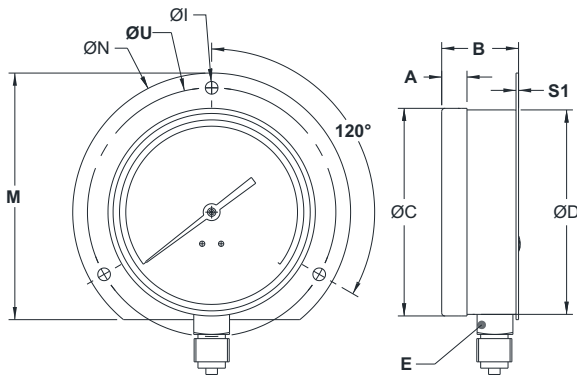
TEMPERATURE EFFECT

Please refer clause no 9.3 of EN 837-1

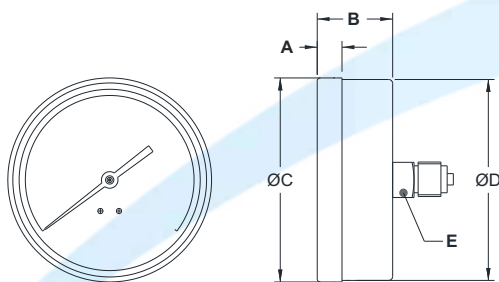
DRAWING



Type - 1A							
DN	40	50	63	80	100	150	250
A	10	10	12	12	12	16	37.5
B	26.5	29	29	35	37	43	51
ØC	44	53	63	78	98.5	155	252
ØD	42	52	62	76	97	154	249
E	12	14	14	14	17	17	22
Weight (gm)	70	100	190	460	480	870	2070

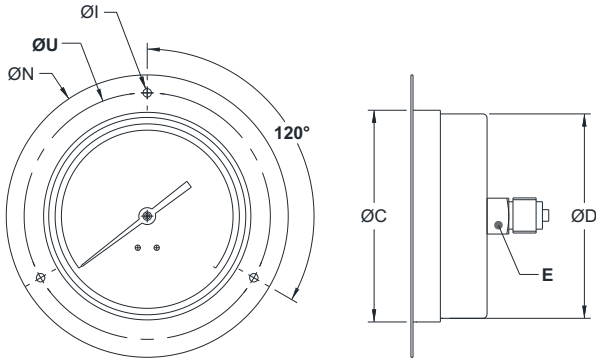


Type - 1B					
DN	63	80	100	150	250
A	12	12	12	16	37.5
B	29	35	37	43	51
ØC	63	78	98.5	155	252
ØD	62	76	97	154	249
E	14	14	17	17	22
ØI	5	5	6	-	-
M	80	100	117	181	280
ØN	88	115	132	195.5	288.5
S	5	5	1.2	7	8
ØU	76	98	118	-	-
Weight (gm)	230	520	560	980	2220

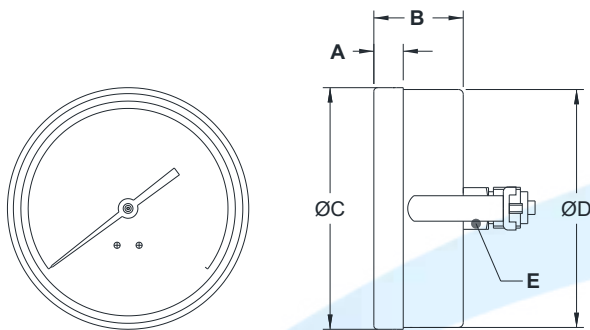


Type - 2A						
DN	40	50	63	80	100	150
A	10	10	12	12	12	16
B	26.5	29	29	35	37	43
ØC	44	53	63	78	98.5	155
ØD	42	52	62	76	97	154
E	12	14	14	14	17	17
Weight (gm)	70	100	190	460	480	870

DRAWING



Type - 2C				
DN	50	63	100	150
A	10	12	12	16
B	29	29	37	43
ØC	53	63	98.5	155
ØD	52	62	97	154
E	14	14	17	17
ØI	4	4	4	5
ØN	90	90	134	184
ØU	71	76	117	170
Weight (gm)	140	230	550	990



Type - 2D					
DN	63	80	100	150	250
A	12	12	12	16	37.5
B	29	35	37	43	51
ØC	63	78	98.5	155	252
ØD	62	76	97	154	249
E	14	14	17	17	22
Weight (gm)	315	500	556	1026	2270

ORDERING CODE

MP33 - C - XXX - 1A - 2NM - IP1 - E1

1. DIAL SIZE	50 mm / 2"	A						
	50 mm / 2"	B						
	63 mm / 2½"	C						
	80 mm / 3"	I						
	100 mm / 4"	D						
	150 mm / 6"	F						
	250 mm / 10"	H						
2. RANGE	Refer "Range Table"			XXX				
3. MOUNTING PATTERN	Direct, Bottom connection					1A		
	Wall/Surface/Projection mounting, Bottom connection					1B		
	Centre, Back connection					2A		
	Panel/Front flange mounting, Centre Back connection					2C		
	Panel/bracket mounting, Centre Back connection					2D		
4. PROCESS CONNECTION	1/8" NPT (M)						1NM	
	¼" NPT (M)						2NM	
	½" NPT (M)						4NM	
	1/8" BSP (M)						1BM	
	¼" BSP (M)						2BM	
	3/8" BSP (M)						3BM	
	½" BSP (M)						4BM	
Other thread size and standards available on request. ¹								
5. INGRESS PROCESS	IP 54							IP1
6. EXECUTION	Dry							E1
7. OTHER OPTIONS	Dampening screw, Cu Alloy)	DO	Dial tag marking	WT	With Freon temperature scales	F9		
	Pointer stop on dial	DZ	5 - point calibration certificate	SA	SS tag plate, AISI 304 SS	WF		
	Custom designed dial	WR	Certification for Oxygen service	SO				

Dial Size	Mounting pattern					Process connection			
	1A	1B	2A	2C	2D	1NM/1BM	2NM/2BM	4NM/4BM	3BM
A	•		•			•			
B	•		•			•	•		
C	•	•	•	•	•	•	•		
I	•	•	•	•	•		•		
D	•	•	•	•	•		•		•
F	•	•	•	•	•		•		•
H	•	•						•	•

Ordering Example: MP33 - C - XXX - 1A - 2NM - IP1 - E1

- For other connections, please contact factory.
- Option WT for DN100 and above