

DN100

MIEPL make SS Case Brass Pressure Gauges are based on the proven Bourdon tube measuring system. On pressurization, the deflection of the Bourdon tube, proportional to the incident pressure, is transmitted to the movement via a link and indicated. The modular design enables a multitude of combinations of case materials, process connections, nominal sizes and scale ranges.



FEATURES

- General purpose
- Stainless steel case
- Dry / liquid filled

APPLICATION

- water supply
- Hydraulic & pneumatic

REFERENCE

- EN 837-1

STANDARD SPECIFICATIONS

Dial size	: DN100 / DN150
Range	: -1...400 bar
Mounting pattern	: Direct, Bottom connection
Process connection	: ½" NPT (M)
Ingress protection	: IP 54 / IP 65
Execution	: Dry / Dry but fillable, glycerin

STANDARD PARAMETERS

Accuracy	: CL 1.6
Ambient Temperature	: -40...+65°C (without dampening liquid) : -20...+65°C (with dampening liquid)
Service Temperature	: 150°C max
Pressure limits	: Steady pressure up to 75% of FS value : Short time 1.3 x FS value for range up to 100 bar : Short time 1.15 x FS value for ranges 100 up to 600 bar : Short time 1.1 x FS value for ranges above 600 bar
Joints	: Silver alloy brazing / soldering

MATERIAL OF CONSTRUCTION

Sensing Element	: Bourdon Tube (≤100 bar : C - type , >100 bar : Helical)
Case & Ring material	: AISI 304 SS (Bayonet type)
Bourdon tube & Shank	: Phosphor Bronze
Movement mechanism	: Copper Alloy
Dial	: Aluminum, black graduation on white background
Pointer	: Fixed, aluminum, black powder coated
Gaskets & filling plug	: Neoprene
Window	: Plexi glass

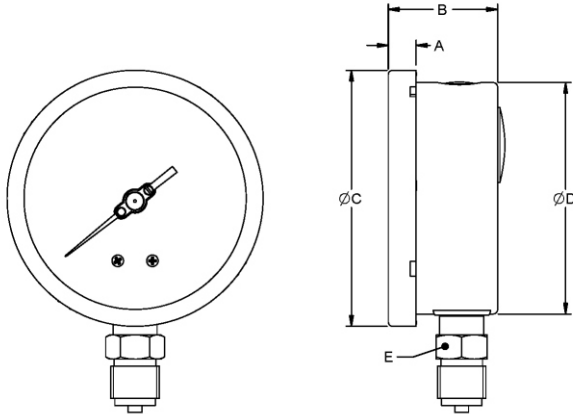
STANDARD SPECIFICATIONS : DAMPENING LIQUID FILLED, GLYCERIN

Window	: Safety glass
Dampening liquid	: Glycerin 99.7% [Service temperature up to 65°C]

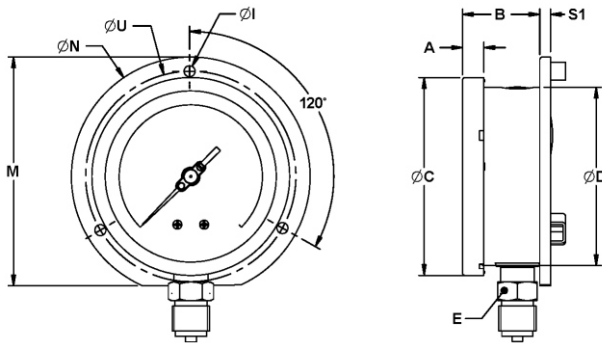
TEMPERATURE EFFECT

Please refer clause no 9.3 of EN 837-1

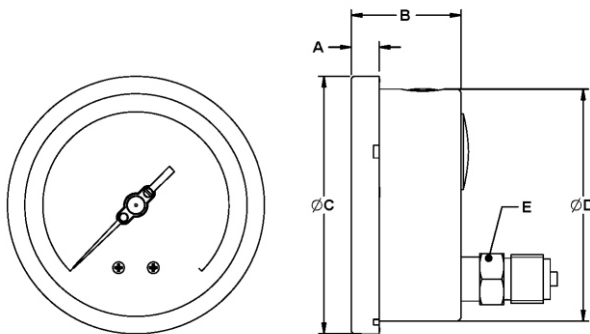
DRAWING



Type - 1A	
DN	100
A	12
B	48
ØC	111
ØD	100
E	SQ.22
Weight (gm)	520

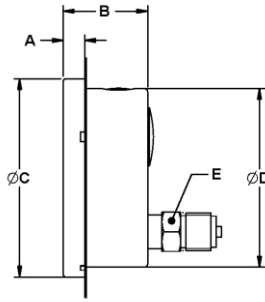
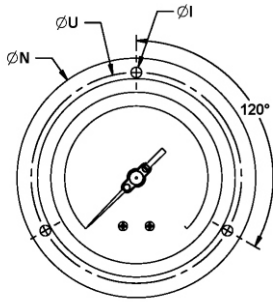


Type 1B	
DN	100
A	12
B	52
ØC	111
ØD	100
E	SQ.22
ØI	6
M	128
ØN	134
S1	6
ØU	118
Weight (gm)	620

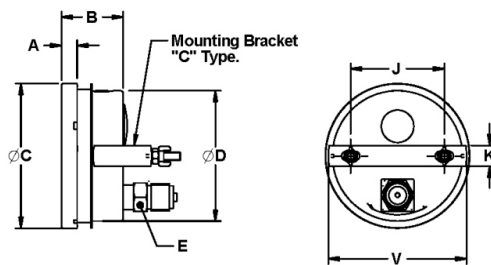


Type - 2E	
DN	100
A	12
B	48
ØC	111
ØD	100
E	SQ.22
Weight (gm)	520

DRAWING



Type 2F	
DN	100
A	12
B	48
ØC	111
ØD	100
E	SQ.22
ØI	6
ØN	134
ØU	118
Weight (gm)	590



Type 2G	
DN	100
A	12
B	48
ØC	111
ØD	100
E	SQ.22
J	72
K	16
V	108
Weight (gm)	610

ORDERING CODE

MP37 - D - XXX - 1A - 4NM - IP1 - E1

1. DIAL SIZE	100 mm / 4"					D
	Refer "Range Table"					XXX
3. MOUNTING PATTERN	Direct, Bottom connection					1A
	Wall/Surface/Projection mounting, Bottom connection					1B
	Lower, Back connection					2E
	Panel/Front flange mounting, Lower Back connection					2F
	Panel/bracket mounting, Lower Back connection					2G
4. PROCESS CONNECTION	3/8" BSP (M)					3BM
	1/2" BSP (M)					4BM
	M20 X 1.5 mm (M)					4MM
	1/2" NPT (M)					4NM
	Other thread size and standards available on request. ¹					
5. INGRESS PROCESS	IP 54					IP1
	IP 65					IP2
6. EXECUTION	Dry ²					E1
	Dry but fillable, glycerine					E2
	Dampening liquid filled, glycerine					E4
7. OTHER OPTIONS	Dampening screw, Cu Alloy	DO	Shatterproof safety glass	FC	SS tag plate, AISI 316 SS	WG
	Pointer stop on dial	DZ	Toughened glass	FD	Custom designed dial	WR
	Dial with Freon temperature scales	F9	Calibration certificate	SA	Dial tag marking	WT
	Plexi glass	FB	SS tag plate, AISI 304 SS	WF		

Ordering Example: **MP37 - D - XXX - 1A - 4NM - IP1 - E1**

- For other connections, please contact factory.
- Available with Ingress Protection IP 54 (dust proof) only.