

PICOTRANS

Swiss based Trafag is a leading international supplier of high quality sensors and monitoring instruments for measurement of pressure and temperature. The NPN pressure transmitter offers reliable and accurate pressure measurement over a wide temperature range. Its excellent long-term stability is based on the leading thin-film-on-steel sensor technology from Trafag. Its robust design and the block design with its optional flange connection makes the NPN the perfect choice for demanding applications such as marine and rail industries.



Applications

- Shipbuilding
- Engine manufacturing
- Railways
- Machine tools
- Hydraulics



Features

- Compact design
- Flange connection (PICO family)
- High vibration resistance
- Good temperature resistance
- Completely welded steel sensor system without additional seals

Technical Data

Measuring principle	Thin film on steel	Media temperature	-40°C ... +100°C
Measuring range	0 ... 2.5 to 0 ... 250 bar	Ambient temperature	-40°C ... +100°C
Output signal	4 ... 20 mA	Approval / conformity	ABS, BV, CCS, DNV, GL, KRS, LRS, NKK, RINA, RMRS
Accuracy @ 25°C typ.	± 0.5 % FS typ. ± 0.3 % FS typ.		

02/2017

Data sheet H72313n

Subject to change

Ordering information/type code

				8264 .	XX	XX	XX	XX	XX	XX
Measuring range ¹⁾	Pressure measurement range [bar]	Over pressure [bar]	Burst pressure [bar]							
	0 ... 2.5	5	100	75						
	0 ... 4	8	100	76						
	0 ... 6	12	100	77						
	0 ... 10	20	200	78						
	0 ... 16	32	200	79						
	0 ... 25	50	300	80						
	0 ... 40	80	300	81						
	0 ... 60	120	500	82						
	0 ... 100	200	500	83						
	0 ... 160 ²⁾	320	1000	85						
	0 ... 250 ²⁾	500	1000	74						
Sensor	Relative pressure, accuracy: 0.3 %									23
	Relative pressure, accuracy: 0.5 %									25
Pressure connection	G1/4" female									10
	M10x1 female									17
	G1/8" female									18
Electrical connection	Male electrical plug: EN 175301-803-A (DIN43650-A), Mat.: PA									04
	Cable with shield: Material: FDR 25 (Raychem) 4 x 0.5 mm ² (cable length see "Accessories")									78
Output signal	Signal output	Load resistance	I (supply)	U (supply)						
	4 ... 20mA	(U _{supply} -9 V) / 20 mA		24 (9 ... 32) VDC	19					
Accessories	Flange connection with O-Ring ³⁾									41
	Pressure peak damping element ø 1.0 mm									40
	Pressure peak damping element ø 0.3 mm									43
	Pressure peak damping element ø 0.5 mm									45
	Welsh plug G1/8"									57
	Welsh plug G1/4"									74
	Female electrical connector EN 175301-803-A (DIN43650-A)/NBR, -40°C ... +90°C									58
	Elbow connector female: 90° EN 175301-803-A (DIN43650-A)/NBR, -40°C ... +90°C									55
	Fixing set									V3
	Special electrical connection: Pin 1 + , Pin 2 - (only for output signal 4 ... 20 mA and male electrical plug EN175301-803-A / DIN43650-A)									92
	Cable length 1.5 m									1M
	Cable length 3.0 m									3M
	Cable length 5.0 m									5M

¹⁾ Extended overpressure as well as customized pressure ranges upon request

²⁾ Only for pressure connection G1/4"

³⁾ Flange (accessory 41) only for pressure ranges ≤ 40 bar

Standard products (extra short lead time)

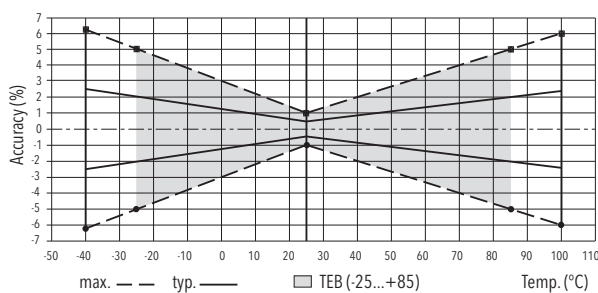
Product No.	Type Code	Pressure range [bar]	Over pressure max. [bar]	Signal output	Supply [VDC]
NPN4.0A4	8264 76 2510 04 0000 0000 19 58 V3	0...4	10	4...20 mA	24 (9 ... 32)
NPN6.0A4	8264 77 2510 04 0000 0000 19 58 V3	0...6	15	4...20 mA	24 (9 ... 32)
NPN10.0A4	8264 78 2510 04 0000 0000 19 58 V3	0...10	20	4...20 mA	24 (9 ... 32)
NPN16.0A4	8264 79 2510 04 0000 0000 19 58 V3	0...16	32	4...20 mA	24 (9 ... 32)
NPN25.0A4	8264 80 2510 04 0000 0000 19 58 V3	0...25	50	4...20 mA	24 (9 ... 32)
NPN40.0A4	8264 81 2510 04 0000 0000 19 58 V3	0...40	80	4...20 mA	24 (9 ... 32)
NPN4.0AF4	8264 76 2510 04 0000 0000 19 41 58 74 V3	0...4	10	4...20 mA	24 (9 ... 32)
NPN6.0AF4	8264 77 2510 04 0000 0000 19 41 58 74 V3	0...6	15	4...20 mA	24 (9 ... 32)
NPN10.0AF4	8264 78 2510 04 0000 0000 19 41 58 74 V3	0...10	20	4...20 mA	24 (9 ... 32)
NPN16.0AF4	8264 79 2510 04 0000 0000 19 41 58 74 V3	0...16	32	4...20 mA	24 (9 ... 32)
NPN25.0AF4	8264 80 2510 04 0000 0000 19 41 58 74 V3	0...25	50	4...20 mA	24 (9 ... 32)
NPN40.0AF4	8264 81 2510 04 0000 0000 19 41 58 74 V3	0...40	80	4...20 mA	24 (9 ... 32)

Specifications		
Electrical Data	Output / supply voltage	4...20 mA: 24 (9...32) VDC
	Rise time	typ. 1 ms/10...90 % nominal pressure
Environmental conditions	Media temperature	-40°C ... +100°C
	Ambient temperature	-40°C ... +100°C
	Protection ¹⁾	Electrical connection 04: IP65 Electrical connection 78: IP69K
	Humidity	Max. 95 % relative
	Vibration	Electrical connection 04/accessory 55: 10g (50...2000 Hz) Electrical connection 04: 15g (50...2000 Hz) Electrical connection 78: 15g rms
	Shock	50g/ 3 ms
EMC Protection	Emission	EN/IEC 61000-6-4
	Immunity	EN/IEC 61000-6-2
Mechanical Data	Sensor (wetted parts)	1.4542 (AISI630)
	Pressure connection (wetted parts)	1.4542 (AISI630)
	Housing	1.4301 (AISI304)
	Sealing	NBR
	Male electrical plug	See ordering information
	Weight	~ 190...220 g
	Mounting torque	See accessories

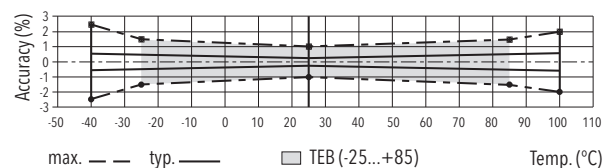
¹⁾ Electrical connection 04: Provided female connector is mounted according to instructions

Accuracy		Measuring accuracy 0.5%	Measuring accuracy 0.3%
		Ordering No. 25	Ordering No. 23
TEB @ -25...+85°C	[% FS typ.]	± 2.0	± 0.5
Accuracy @ +25°C	[% FS typ.]	± 0.5	± 0.3
NLH @ +25°C (BSL)	[% FS typ.]	± 0.2	± 0.1
TC zero point and span	[% FS/K typ.]	± 0.03	± 0.005
Long term stability 1 year @ +25°C	[% FS typ.]	± 0.2	± 0.2

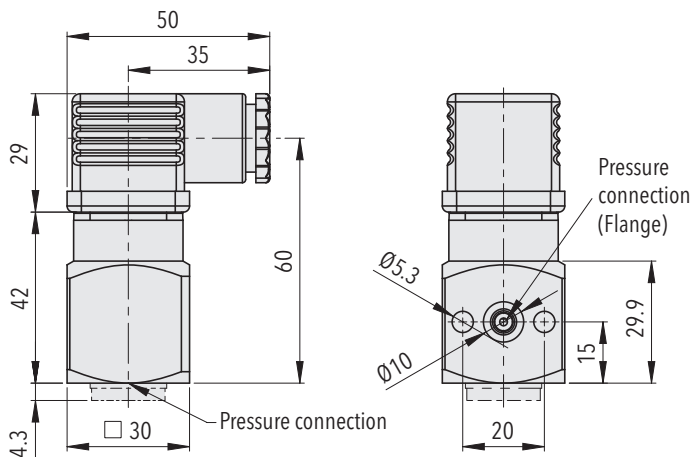
Measuring accuracy 0.5%



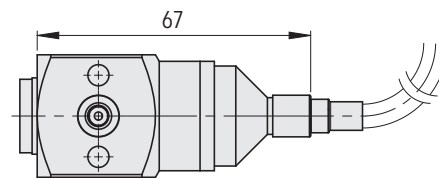
Measuring accuracy 0.3%



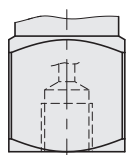
Dimensions



8264.XX.XXXX.04.XX.XX



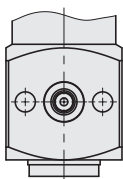
8264.XX.XXXX.78.XX.XX



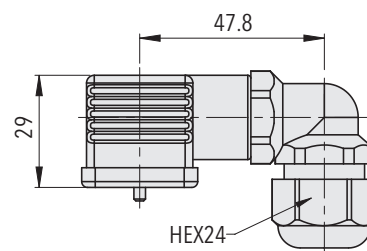
G 1/4"x12: 8264.XX.XX10.XX.XX.XX

G 1/8"x10: 8264.XX.XX18.XX.XX.XX

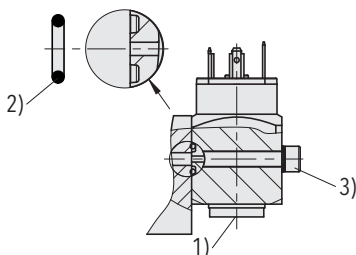
M10x1x10: 8264.XX.XX17.XX.XX.XX



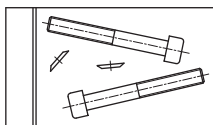
Flange: 8264.XX.XXXX.XX.XX.41



8264.XX.XXXX.XX.XX.55



8264.XX.XXXX.XX.XX.41



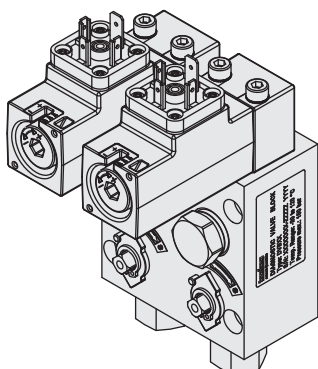
8264.XX.XXXX.XX.XX.V3

1) Torque: G 1/4": $M_A = 32 \dots 40 \text{ Nm}$

2) O-Ring: $\varnothing 6.75 \times 1.78 \text{ NBR } 90 \text{ Sh}$

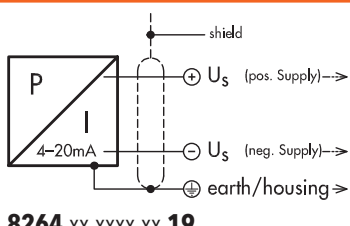
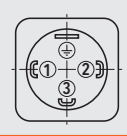
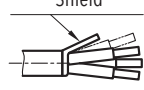
3) Fixing screw: M5; property class: 8.8; torque: $4.5 \dots 6 \text{ Nm}$

Electrical connector center screw: max. torque 0.4 Nm



Diagnostic Valve Bloc (DVB)
see specification sheet H72361

Electrical connection

		Protection / electrical connection	
		IP65	IP69K
Output signal  <p>8264.XX.XXXX.XX.19</p>		Industrial standard EN175301-803A 04 	Cable **) 78 Shield 
		Standard 2 1 ⊕	with accessory 92 1 2 ⊕

***) Ventilation via cable end

Additional information

Documents

Data sheet	www.trafag.com/H72313
Instructions	www.trafag.com/H73313
Flyer	www.trafag.com/H70673