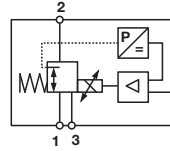


- > **Port size: 1/4" (ISO G or NPT) or manifold**
- > **Fast response time with pressure output display**
- > **Closed-loop air piloted proportional pressure control valve**
- > **Adjustable gain and pressure range**
- > **High flow**
- > **Low power consumption**
- > **Excellent performance characteristics**
- > **Feedback signal**
- > **Manifold mountable**



Technical features

Medium:

Compressed dry air, oil free filtered to 5µm.

Operation:

Air piloted spool valve with integrated electronic pressure control

Output (nominal) pressure:

0 ... 2 bar, (0 ... 30 psi);
0 ... 6 bar, (0 ... 90 psi);
0 ... 10 bar, (0 ... 150)

Supply pressure:

Minimum 2 bar (29 psi) above maximum output required, 12 bar max. (174 psi)

Air Supply sensitivity:

Better than 0,75% span output change per bar supply pressure change

Flow:

Up to 1400 N l/min (see characteristic curves)

Air consumption:

< 5 N l/min

Ambient/Media temperature:

0 ... +50°C (+32 ... 122°F)
Air supply must be dry enough to avoid ice formation at temperatures below +2°C (+35°F)

Temperature Sensitivity:

Typically better than 0,03% span/°C

Degree of protection:

IP65 in normal operation (exhaust and baffle protected from water ingress at temperatures <+5°C (+41°F))

Linearity:

< 1%

Hysteresis and deadband:

< 1%

Response Time:

< 80 ms (from 10 ... 90% of output pressure into a 0,1 litre load).

Vibration & shock immunity:

<3% span
0,75 m/s², 5 ... 150Hz,
1 m/s², 5 ... 150Hz

Weight:

0.45 kg

Materials:

Body: Aluminium
Lid: Nylon
Front cover and End cap: Nylon

Maintenance:

No maintenance required
Calibration:
Gain, Span, Zero

Electrical details

Electromagnetic compatibility	Conforms to EC requirements EN 50081-2 (1994) and EN 50082-2 (1995)
Electrical input signal	4 ... 20 mA or 0 ... 10 V factory set
Electrical power input	24 V d.c. ±25%, (power consumption < 1 W)
Output pressure feedback signal	0 ... 10 V full range, <±1% Accuracy
Connections	M12x1, 5-pin

Option selector

VP50★★S★★★11H00

Output pressure	Substitute	Input signal	Substitute
0 ... 2 bar/30 psi	02	0 ... 10 V	1
0 ... 6 bar/90 psi	06	4 ... 20 mA	4
0 ... 10 bar/150 psi	10	Port size	Substitute
Unit for pressure	Substitute	G 1/4	J
bar	B	NPT 1/4	K
psi	P	Manifold	X

Other pressure ranges are available to special order: For options not shown and any specific requirements please contact the Norgren technical department via; www.norgren.com/ws

Connecting plugs

Elbow connector M12 x 1



Page 4
0250081

Manifold mount assembly to ISO 2 sub base

Single manifold



Page 4
ZZ5M00

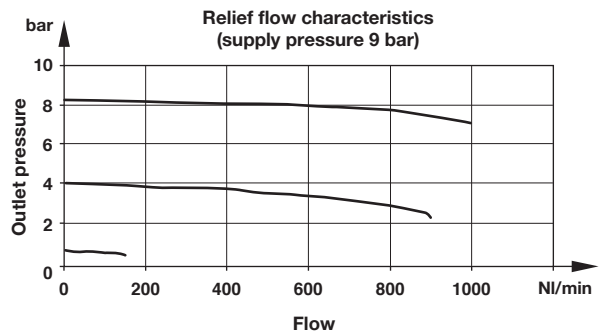
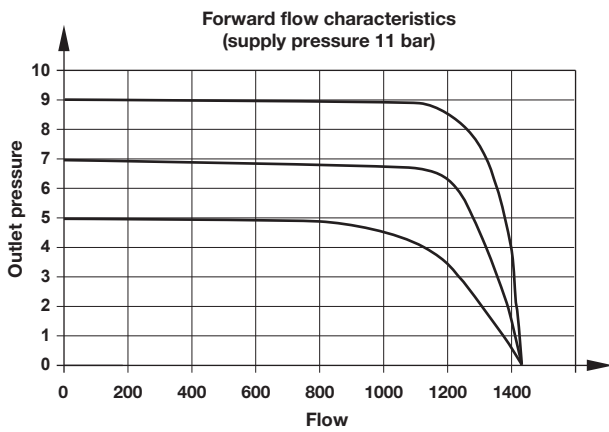
O-rings, flat seal and screws are included

Electrical connector pin looking into the end of the instrument



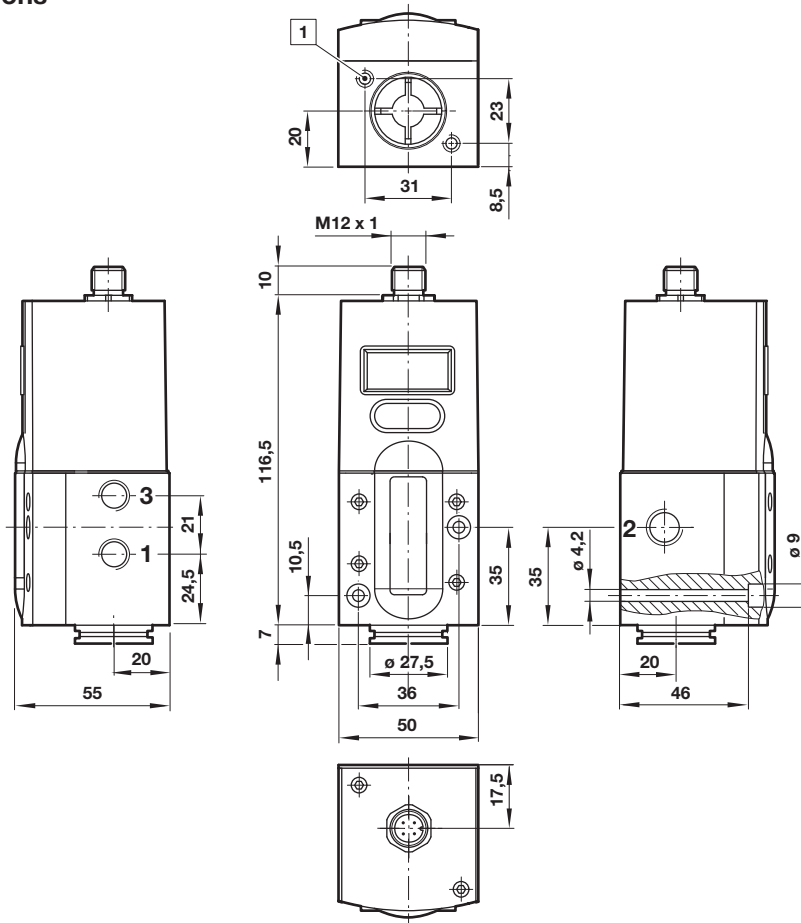
Pin-No.	Function
1	+24 V d.c. supply
2	0 ... 10 V feedback
3	Control signal (+VE)
4	Common (supply signal and feedback return)
5	Chassis

Characteristic curves (standard units)



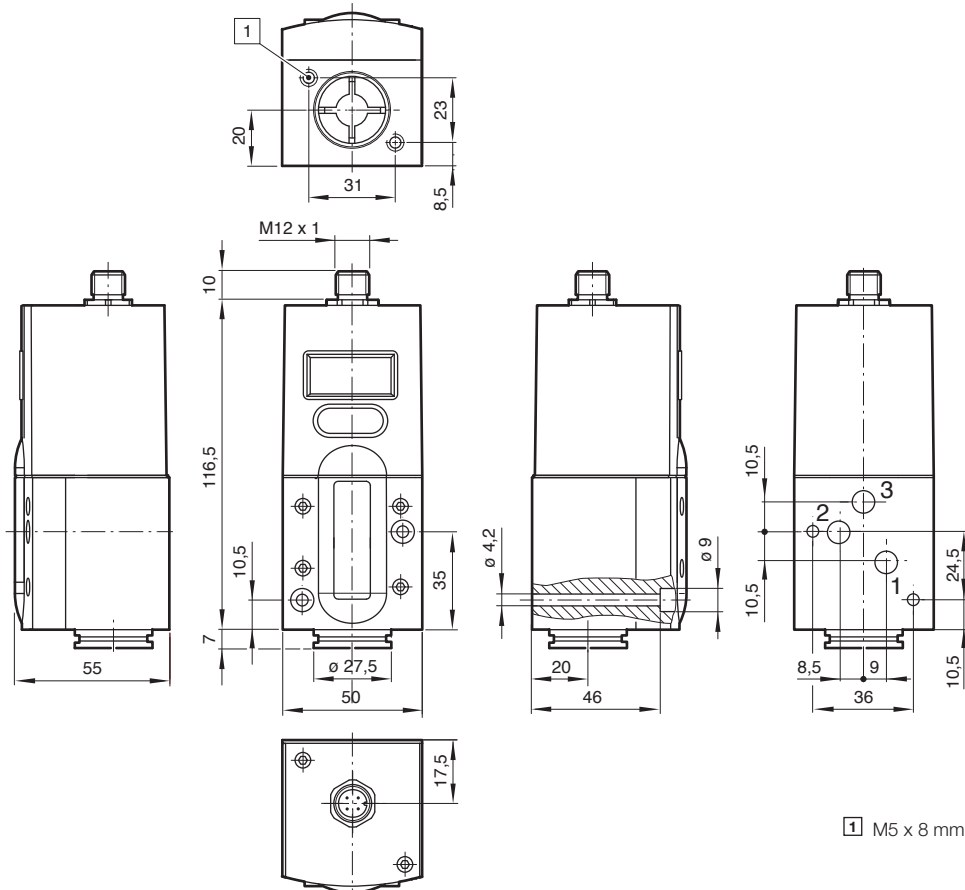
Basic dimensions

Dimensions in mm
Projection/First angle



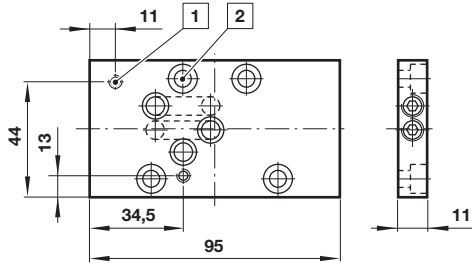
1 M5 x 8 mm deep

VP50S with manifold surface



1 M5 x 8 mm deep

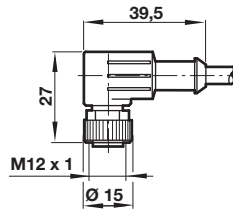
**Manifold mount assembly to ISO 2 sub base
included all seals and screws**



- 1 Two screws M4 x 50 mm deep to mount the VP50 onto the manifold
- 2 Four screws M6x16 mm deep to mount the manifold onto the iso subbase

**Connector
Model: 0250081**

Dimensions in mm
Projection/First angle



Connector, 90°
M12 x 1, 5 pin, female,
5 m cable length, A coded

Warning

These products are intended for use in industrial compressed air systems only. Do not use these products where pressures and temperatures can exceed those listed under

»**Technical features/data**«.

Before using these products with fluids other than those specified, for non-industrial applications, life-support systems or other applications not within published specifications, consult IMI NORGREN.

Through misuse, age, or malfunction, components used in fluid power systems can fail in various modes.

The system designer is warned to consider the failure modes of all component parts used in fluid power systems and to provide adequate safeguards to prevent personal injury or damage to equipment in the event of such failure.

System designers must provide a warning to end users in the system instructional manual if protection against a failure mode cannot be adequately provided.

System designers and end users are cautioned to review specific warnings found in instruction sheets packed and shipped with these products.